



In-use Covers, Conduit Bodies, Wallplates



STANDARDS

HUBBELL® TAYMAC® UPC Vendor Number 092326 or 050169.

Where applicable, HUBBELL® TAYMAC® products are engineered in accordance with the standards established by Underwriters Laboratories and the Canadian Standards Association. Dimensional data listed in this catalog is intended for general reference with broad tolerance limits.

2020 NEC®

When specifying HUBBELL® TAYMAC® Weatherproof boxes and covers, consult the requirements of the National Electrical Code®, Section 314.16 (B) and 406.9 (B). Section 314.16 (B) details the NEC® requirements for the maximum number of conductors allowed for a HUBBELL® TAYMAC® Weatherproof installation. Article 406.9 (B) provides details on the NEC® requirements for receptacles being used in wet locations.

For your convenience, we have reprinted the pertinent NEC® sections. In all cases, consult your local electrical code and inspector interpretation.

Wiring Capacity: HUBBELL® TAYMAC® Weatherproof Boxes and Extensions

Maximum Number of Conductors or Minimum Size Box (Article 314.16 (B))

The purpose of Section 314.16 (B) is to determine the maximum conductor count or the minimum box size required for the job. It also can be used to figure how many other conductors may be added without exceeding the Code-prescribed limit. Most applications have determined the number of conductors. The rules of Section 314.16 (B) are used to determine the Code recognized limit, or smallest box that may be installed.

Selection of any HUBBELL® TAYMAC® Weatherproof box or extension for use in any electrical circuit work must take into consideration the maximum number of wires permitted in the box. Safe electrical practice demands that wires not be jammed into boxes because of the possibility of nicks, abrasions, or other damage to the insulating material, creating the potential for ground faults or short circuits.

314.16 Number of Conductors in Outlet, Device, and Junction Boxes, and Conduit Bodies.

Boxes and conduit bodies shall be of an approved size to provide free space for all enclosed conductors. In no case shall the volume of the box, as calculated in 314.16(A), be less than the fill calculation as calculated in 314.16(B). The minimum volume for conduit bodies shall be as calculated in 314.16(C).

The provisions of this section shall not apply to terminal housings supplied with motors or generators.

Informational Note: For volume requirements of motor or generator terminal housings, see 430.12.

Boxes and conduit bodies enclosing conductors 4 AWG or larger shall also comply with the provisions of 314.28. Outlet and device boxes shall also comply with 314.24.

(A) Box Volume Calculations. The volume of a wiring enclosure (box) shall be the total volume of the assembled sections and, where used, the space provided by plaster rings, domed covers, extension rings, and so forth, that are marked with their volume or are made from boxes the dimensions of which are listed in Table 314.16(A). Where a box is provided with one or more securely installed barriers, the volume shall be apportioned to each of the resulting spaces. Each barrier, if not marked with its volume, shall be considered to take up 8.2 cm³(1/2 in³) if metal, and 16.4 cm³(1.0 in³) if nonmetallic.

(1) Standard Boxes. The volumes of standard boxes that are not marked with their volume shall be as given in Table 314.16(A).

(2) Other Boxes. Boxes 1650 cm³ (100 in.³) or less, other than those described in Table 314.16(A), and nonmetallic boxes shall be durably and legibly marked by the manufacturer with their volume(s). Boxes described in Table 314.16(A) that have a volume larger than is designated in the table shall be permitted to have their volume marked as required by this section.

(B) Box Fill Calculations. The volumes in paragraphs 314.16(B)(1) through (B)(5), as applicable, shall be added together. No allowance shall be required for small fittings such as locknuts and bushings. Each space within a box installed with a barrier shall be calculated separately.

(1) Conductor Fill. Each conductor that originates outside the box and terminates or is spliced within the box shall be counted once, and each conductor that passes through the box without splice or termination shall be counted once. Each loop or coil of unbroken conductor not less than twice the minimum length required for free conductors in 300.14 shall be counted twice. The conductor fill shall be calculated using Table 314.16(B). A conductor, no part of which leaves the box, shall not be counted.

Exception: An equipment grounding conductor or conductors or not over four fixture wires smaller than 14 AWG, or both, shall be permitted to be omitted from the calculations where they enter a box from a domed luminaire or similar canopy and terminate within that box.

(2) Clamp Fill. Where one or more internal cable clamps, whether factory or field supplied, are present in the box, a single volume allowance in accordance with Table 314.16(B) shall be made based on the largest conductor present in the

box. No allowance shall be required for a cable connector with its clamping mechanism outside the box.

A clamp assembly that incorporates a cable termination for the cable conductors shall be listed and marked for use with specific nonmetallic boxes. Conductors that originate within the clamp assembly shall be included in conductor fill calculations covered in 314.16(B)(1) as though they entered from outside the box. The clamp assembly shall not require a fill allowance, but the volume of the portion of the assembly that remains within the box after installation shall be excluded from the box volume as marked in 314.16(A)(2).

(3) Support Fittings Fill. Where one or more luminaire studs or hickey are present in the box, a single volume allowance in accordance with Table 314.16(B) shall be made for each type of fitting based on the largest conductor present in the box.

(4) Device or Equipment Fill. For each yoke or strap containing one or more devices or equipment, a double volume allowance in accordance with Table 314.16(B) shall be made for each yoke or strap based on the largest conductor connected to a device(s) or equipment supported by that yoke or strap. A device or utilization equipment wider than a single 50 mm (2 in.) device box as described in Table 314.16(A) shall have double volume allowances provided for each gang required for mounting.

(5) Equipment Grounding Conductor Fill. Where up to four equipment grounding conductors or equipment bonding jumpers enter a box, a single volume allowance in accordance with Table 314.16(B) shall be made based on the largest equipment grounding conductor or equipment bonding jumper entering in the box.

A 1/4 volume allowance shall be made for each additional equipment grounding conductor or equipment bonding jumper that enters the box, based on the largest equipment grounding conductor or equipment bonding conductor.

(C) Conduit Bodies.

(1) General. Conduit bodies enclosing 6 AWG conductors or smaller, other than short-radius conduit bodies as described in 314.16(C)(3), shall have a cross-sectional area not less than twice the cross-sectional area of the largest conduit or tubing to which they can be attached. The maximum number of conductors permitted shall be the maximum number permitted by Table 1 of Chapter 9 for the conduit or tubing to which it is attached.

(2) With Splices, Taps, or Devices. Only those conduit bodies that are durably and legibly marked

by the manufacturer with their volume shall be permitted to contain splices, taps, or devices. The maximum number of conductors shall be calculated in accordance with 314.16(B). Conduit bodies shall be supported in a rigid and secure manner.

(3) Short Radius Conduit Bodies. Conduit bodies such as capped elbows and service-entrance elbows that enclose conductors 6 AWG or smaller, and are only intended to enable the installation of the raceway and the contained conductors, shall not contain splices, taps, or devices and shall be of an approved size to provide free space for all conductors enclosed in the conduit body.

406.9 Receptacles in Damp or Wet Locations.

(A) Damp Locations. A receptacle installed outdoors in a location protected from the weather or in other damp locations shall have an enclosure for the receptacle that is weatherproof when the receptacle is covered (attachment plug cap not inserted and receptacle covers closed).

An installation suitable for wet locations shall also be considered suitable for damp locations.

A receptacle shall be considered to be in a location protected from the weather where located under roofed open porches, canopies, marquees, and the like, and will not be subjected to a beating rain or water runoff. All 15- and 20-ampere, 125- and 250-volt nonlocking receptacles shall be a listed weather-resistant type.

Informational Note: The types of receptacles covered by this requirement are identified as 5-15, 5-20, 6-15, and 6-20 in ANSI/NEMA WD 6-2016, Wiring Devices — Dimensional Specifications.

(B) Wet Locations.

(1) Receptacles of 15 and 20 Amperes in a Wet Location. Receptacles of 15 and 20 amperes, 125 and 250 volts installed in a wet location shall have an enclosure that is weatherproof whether or not the attachment plug cap is inserted. An outlet box hood installed for this purpose shall be listed and shall be identified as “extra-duty.” Other listed products, enclosures, or assemblies providing weatherproof protection that do not utilize an outlet box hood need not be marked “extra duty.”

Informational Note No. 1: Requirements for extra-duty outlet box hoods are found in ANSI/UL 514D-2016, Cover Plates for Flush-Mounted Wiring Devices.

“Extra duty” identification and requirements are not applicable to listed receptacles, faceplates, outlet boxes, enclosures, or assemblies that are identified as either being suitable for wet locations or rated as one of the outdoor enclosure-type numbers of Table 110.28 that does not utilize an outlet box hood.

Exception: 15- and 20-ampere, 125- through 250-volt receptacles installed in a wet location and subject to routine high-pressure spray washing shall be permitted to have an enclosure that is weatherproof when the attachment plug is removed. All 15- and 20-ampere, 125- and 250-volt nonlocking-type receptacles shall be listed and so identified as the weatherresistant type.

Informational Note No. 2: The configuration of weatherresistant receptacles covered by this requirement are identified as 5-15, 5-20, 6-15, and 6-20 in ANSI/NEMA WD 6-2016, Wiring Devices — Dimensional Specifications.

(2) Other Receptacles. All other receptacles installed in a wet location shall comply with 406.9(B)(2)(a) or (B)(2)(b).

(a) A receptacle installed in a wet location, where the product intended to be plugged into it is not attended while in use, shall have an enclosure that is weatherproof with the attachment plug cap inserted or removed.

(b) A receptacle installed in a wet location where the product intended to be plugged into it will be attended while in use (e.g., portable tools) shall have an enclosure that is weatherproof when the attachment plug is removed.

(C) Bathtub and Shower Space. Receptacles shall not be installed within or a zone measured 900 mm (3 ft) horizontally and 2.5 m (8 ft) vertically from the top of the bathtub rim or shower stall threshold. The identified zone is all-encompassing and shall include the space directly over the tub or shower stall.

Exception: In bathrooms with less than the required zone the receptacle(s) shall be permitted to be installed opposite the bathtub rim or shower stall threshold on the farthest wall within the room.

(D) Protection for Floor Receptacles. Standpipes of floor receptacles shall allow floor-cleaning equipment to be operated without damage to receptacles.

(E) Flush Mounting with Faceplate. The enclosure for a receptacle installed in an outlet box flush-mounted in a finished surface shall be made weatherproof by means of a weatherproof faceplate assembly that provides a watertight connection between the plate and the finished surface.

National Electric Code® and NEC® is a registered Trademark of the National Fire Protection Association.

GENERAL FEATURES AND BENEFITS

HUBBELL® TAYMAC® Weatherproof products all offer these features and benefits:

- Rugged seamless die cast construction that will not allow entry of moisture
- Reinforced connector outlets to provide a secure mechanical installation
- State-of-the-art powder coat paint for maximum weatherability and scratch resistance
- Bilingual instructions provided with every product
- Installation hardware and ground screws included where applicable
- Shrink-wrap packaging that keeps all components together
- UPC-A barcoding to help lower transaction costs Refer to the pages that follow for more specific information about HUBBELL® TAYMAC® products.

Calculate The Minimum Size Box

Section 314-16(B) describes in detail the method of counting wires, as well as clamps, fittings, or devices (i.e., switches, receptacles, combination devices) — by establishing an equivalent conductor-value for each. These values are added together to get a total number of conductors. The minimum size box is the smallest one in cubic inch size that can accommodate that number of conductors.

Points to Remember:

1. No matter how many ground wires come into a box, they only count as one conductor within the box.
2. Any wire running unbroken through the box counts as one wire.
3. Each wire coming into a splice device (crimp or twist-on type) is counted as one wire.

Table 314.16(B) Volume Allowance Required per Conductor		
Size of Conductor	Free Space Within Box for Each Conductor	
(AWG)	cm ³	in. ³
18	24.6	1.50
16	28.7	1.75
14	32.8	2.00
12	36.9	2.25
10	41.0	2.50
8	49.2	3.00
6	81.9	5.00

4. Each wire coming into the box and connecting to a device counts as one wire of that size.
5. Where devices are mounted in the box, the total conductor count must be increased by two for each mounting strap.

Example — TAYMAC® Weatherproof
Supply power to a single switch with #14 conductors. Metal conduit will be used as the wire way. You must provide space for four conductors and one switch, totally a conductor count of 6. Read across the line in Table 314.16(B) for a #14 conductor. Multiply 6 times the free space within a box. For each conductor for a #14 conductor 2.00. This example requires a minimum box of 12.0 cubic inches.



APPLICATIONS

- Designed to provide weatherproof protection while an outlet is in use

PRODUCT FEATURES

- High-impact polycarbonate construction provides maximum durability
- Quick-Fit keyhole mounting system allows installation in under a minute
- Includes attached gasket and mounting hardware
- Universal Fit Adapter System Technology (U-Fast) for 16-in-1 configurations, comes pre-configured for GFCI
- Lockable tab (fits up to 1/8" shackle / Extra Duty covers fit up to 1/4" shackle)

COMPLIANCES

- cULus File E116141
- 2014/2017 NEC® 406.9 (A) compliant
- 2014/2017 NEC® 406.9 (B) compliant (Extra Duty)
- NEMA 3R rated

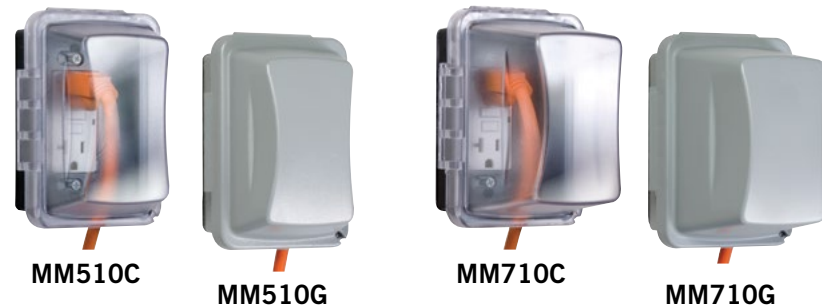
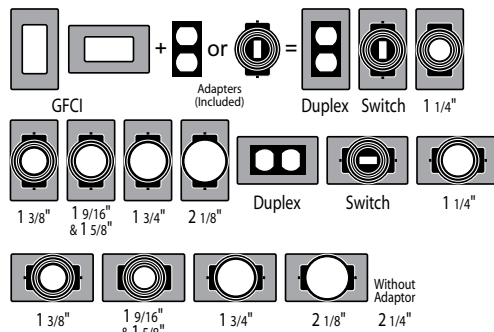
1-GANG



Fits Full-Size Padlock



16-in-1 CONFIGURATIONS

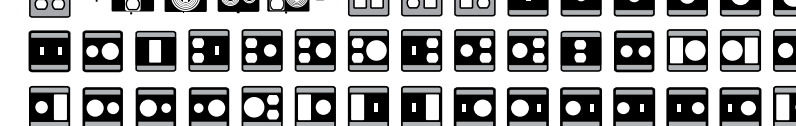
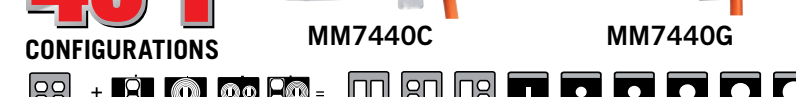


CATALOG #	DESCRIPTION	DEPTH	COLOR	PKG. TYPE	STD. PKG.	BARCODE
1-Gang In-Use Covers						
MM420C	Extra Duty® Horizontal/Vertical 16-in-1 Standard	2.75"	Clear	Shrink	8	
MM420G	Extra Duty® Horizontal/Vertical 16-in-1 Standard	2.75"	Gray	Shrink	8	
MM420W	Extra Duty® Horizontal/Vertical 16-in-1 Standard	2.75"	White	Shrink	8	
MM720C	Extra Duty® Horizontal/Vertical 16-in-1 Jumbo	4.75"	Clear	Shrink	4	
MM720G	Extra Duty® Horizontal/Vertical 16-in-1 Jumbo	4.75"	Gray	Shrink	4	
MM410C	Horizontal/Vertical 16-in-1 Standard	2.75"	Clear	Shrink	10	
MM410CA	Horizontal/Vertical 16-in-1 Standard w/Round Box Adaptor	2.75"	Clear	Shrink	10	
MM410CW	Horizontal/Vertical 16-in-1 Standard	2.75"	Clear w/ White Base	Shrink	10	
MM410G	Horizontal/Vertical 16-in-1 Standard	2.75"	Gray	Shrink	10	
MM410W	Horizontal/Vertical 16-in-1 Standard	2.75"	White	Shrink	10	
MM510C	Horizontal/Vertical 16-in-1 Deep	3.25"	Clear	Shrink	8	
MM510G	Horizontal/Vertical 16-in-1 Deep	3.25"	Gray	Shrink	8	
MM710C	Horizontal/Vertical 16-in-1 Jumbo	4.75"	Clear	Shrink	5	
MM710G	Horizontal/Vertical 16-in-1 Jumbo	4.75"	Gray	Shrink	5	

2-GANG



Multiple Combinations of GFCI, Duplex, Switch, and Rounds: 1-1/4", 1-3/8", 1-9/16" & 1-5/8", 1-11/16", 2-1/8", 2-1/4", 2-7/16"



Multiple combinations of duplex, GFCI, switch and rounds: 1-3/8", 1-5/8", 1-3/4", 2-1/4", 2-5/8"

APPLICATIONS

- Designed to provide weatherproof protection while an outlet is in use

PRODUCT FEATURES

- High-impact polycarbonate construction provides maximum durability
- Quick-Fit keyhole mounting system allows installation in under a minute
- Includes attached gasket and mounting hardware
- Universal Fit Adapter System Technology (U-Fast) comes pre-configured for GFCI
- Lockable tab (fits up to 1/8" shackle)
- Made in USA

COMPLIANCES

- cULus File E116141
- 2014/2017 NEC® 406.9 (A) compliant (MM7440C and MM7440G)
- 2014/2017 NEC® 406.9 (B) compliant (Extra Duty MM2420C and G) (MM7420C and G)
- NEMA 3R rated

* MM7440 pre-configured for Duplex.
MM2410/MM2420 pre-configured for GFCI.

CATALOG #	DESCRIPTION	DEPTH	COLOR	PKG. TYPE	STD. PKG.	BARCODE
2-Gang In-Use Jumbo Covers						
MM7420C	Extra Duty® 55-in-1 Jumbo	5.00"	Clear	Shrink	3	
MM7420G	Extra Duty® 55-in-1 Jumbo	5.00"	Gray	Shrink	3	
MM7440C	40-in-1 Jumbo	4.75"	Clear	Shrink	3	
MM7440G	40-in-1 Jumbo	4.75"	Gray	Shrink	3	
2-Gang In-Use Covers						
MM2420C	Extra Duty® 55-in-1 Standard	2.75"	Clear	Shrink	6	
MM2420G	Extra Duty® 55-in-1 Standard	2.75"	Gray	Shrink	4	
MM2410C	55-in-1 Standard	2.75"	Clear	Shrink	6	
MM2410G	55-in-1 Standard	2.75"	Gray	Shrink	6	

NONMETALLIC FLAT DEVICE COVERS

NONMETALLIC FLAT EXPANDABLE IN-USE COVERS

APPLICATIONS

- For use whenever weatherproof protection is required for an outdoor receptacle or switch

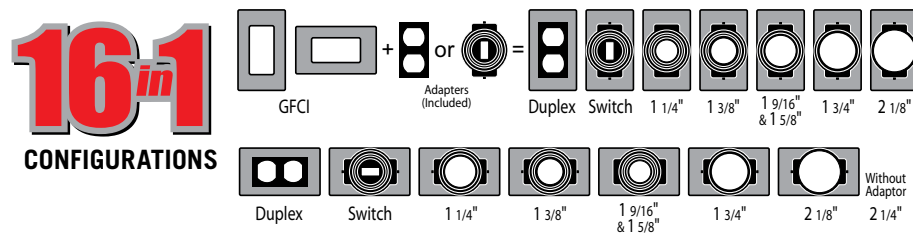
PRODUCT FEATURES

- High-impact polycarbonate construction provides maximum durability
- Quick-Fit keyhole mounting system allows installation in under a minute
- Includes attached gasket and mounting hardware
- Universal Fit Adapter System Technology (U-Fast) comes pre-configured for GFCI
- Lockable tab (fits up to 1/8" shackle)
- Made in USA

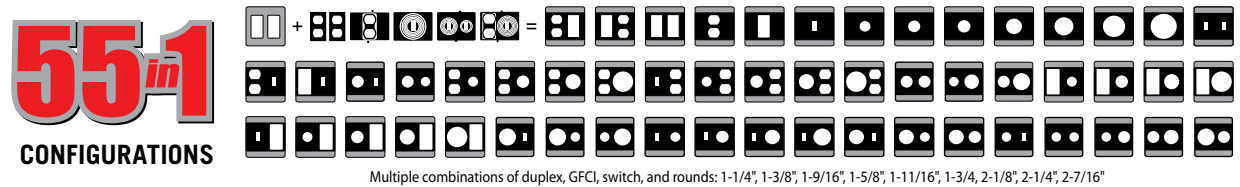
COMPLIANCES

- cULus File E116141
- 2014 NEC® 406.9 (A) compliant (MM1410C, G, and W)
- NEMA 3R rated

1-GANG



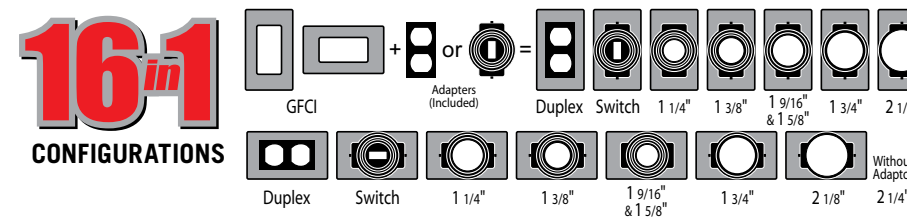
2-GANG



CATALOG #	DESCRIPTION	DEPTH	COLOR	PKG. TYPE	STD. PKG.	BARCODE
1-Gang Flat Covers						
MM110C	Horizontal/Vertical 16-in-1	.625"	Clear	Shrink	10	
MM110G	Horizontal/Vertical 16-in-1	.625"	Gray	Shrink	10	
MM110W	Horizontal/Vertical 16-in-1	.625"	White	Shrink	10	
2-Gang Flat Covers						
MM1410C	55-in-1 Standard	.625"	Clear	Shrink	10	
MM1410G	55-in-1 Standard	.625"	Gray	Shrink	10	
MM1410W	55-in-1 Standard	.625"	White	Shrink	10	

SEE END OF SECTION (PG C24) FOR DETAILED DRAWINGS >>

1-GANG



APPLICATIONS

- Expandable design for weatherproof protection while an outlet is in use

PRODUCT FEATURES

- Revolutionary patented design expands from 1" to 3" for in-use needs
- 100% paintable surface
- Ultra rugged polycarbonate & synthetic neoprene rubber will not dry rot, crack or deteriorate in sunlight
- Includes attached gasket and mounting hardware
- Quick-Fit keyhole mounting system allows installation in under a minute
- Universal Fit Adapter System Technology (U-Fast) comes pre-configured for GFCI

COMPLIANCES

- cULus File E116141
- 2014/2017 NEC® 406.9 (A) compliant
- 2014/2017 NEC® 406.9 (B) compliant (Extra Duty)
- NEMA 3R rated



CATALOG #	DESCRIPTION	DEPTH	COLOR	PKG. TYPE	STD. PKG.	BARCODE
1-Gang Flat Expandable In-Use Covers						
ML500G	Extra Duty® 16-in-1 Flat Expandable Vertical/Horizontal	1" to 3"	Gray	Shrink	10	
ML500W	Extra Duty® 16-in-1 Flat Expandable Vertical/Horizontal	1" to 3"	White	Shrink	10	
ML500Z	Extra Duty® 16-in-1 Flat Expandable Vertical/Horizontal	1" to 3"	Bronze	Shrink	10	
ML450G	16-in-1 Flat Expandable Vertical/Horizontal	1" to 3"	Gray	Shrink	10	
ML450W	16-in-1 Flat Expandable Vertical/Horizontal	1" to 3"	White	Shrink	10	
ML450Z	16-in-1 Flat Expandable Vertical/Horizontal	1" to 3"	Bronze	Shrink	10	
2-Gang Flat Expandable In-Use Covers						
ML2500G	Extra Duty® 55-in-1 Flat Expandable	1" to 3"	Gray	Shrink	6	
ML2450G	55-in-1 Flat Expandable	1" to 3"	Gray	Shrink	6	

SEE END OF SECTION (PG C25) FOR DETAILED DRAWINGS >>



1-GANG COVER

APPLICATIONS

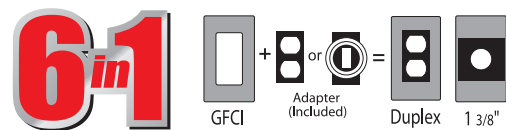
- In-use weatherproof enclosures can be used in new or old work, and are compatible with common siding types and materials such as vinyl, wood, stucco, brick or block

PRODUCT FEATURES

- Mounts horizontally or vertically
- Accommodates duplex, GFCI or round receptacle (not included)
- Universal Fit Adapter System Technology (U-Fast) comes pre-configured for GFCI
- Electrical box and siding flange included
- For all common siding types and materials (vinyl, wood, stucco, brick or block)
- Installation instructions and mounting hardware included

COMPLIANCES

- cULus File E313240
- 2014/2017 NEC® 406.9 (A) compliant
- 2014/2017 NEC® 406.9 (B) compliant (Extra Duty)



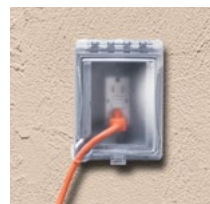
MR420CW

MR420CZ

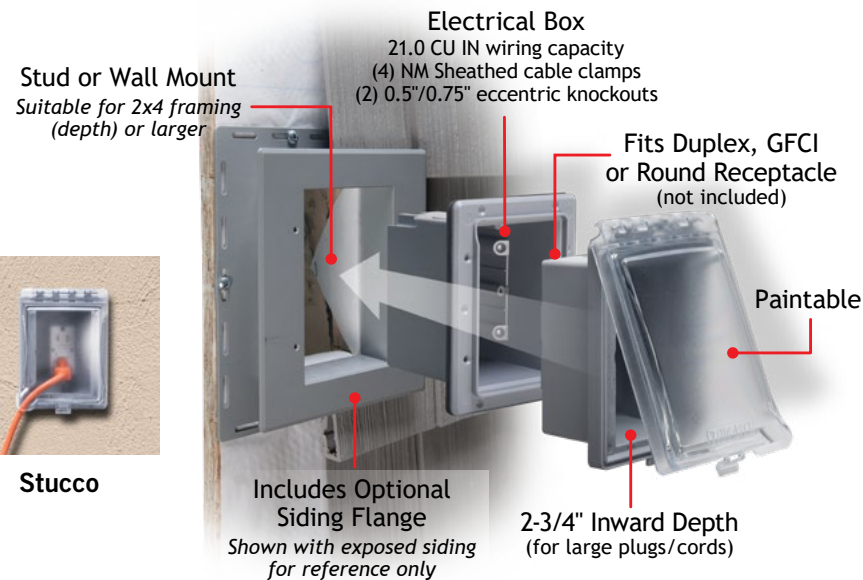


Vinyl Siding

Brick



Stucco

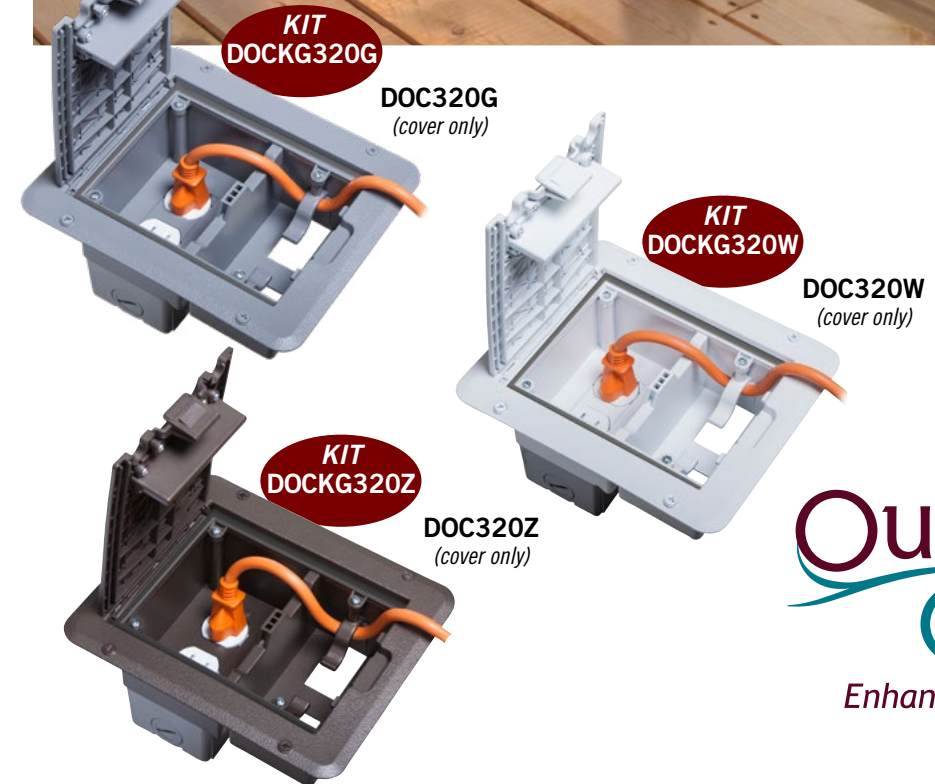


CATALOG #	DESCRIPTION	DEPTH	COLOR	PKG. TYPE	STD. PKG.	BARCODE
Weatherproof In-Use Recessed Enclosure						
MR420CG	Extra Duty® Weatherproof In-Use Recessed Enclosure	4.98"	Gray	Boxed	4	
MR420CW	Extra Duty® Weatherproof In-Use Recessed Enclosure	4.98"	White	Boxed	4	
MR420CZ	Extra Duty® Weatherproof In-Use Recessed Enclosure	4.98"	Bronze	Boxed	4	

1-GANG COVER AND KIT



Complete Kit



APPLICATIONS

- Provides safe, code-compliant way to add an outlet to raised outdoor floors
- Suitable for lights, fans, device chargers and other electric appliances
- Protects from water spray, rain or snow
- Cost effective upgrade for today's outdoor living

PRODUCT FEATURES

- Provides convenient power access on raised wood or composite decks and porches
- Low profile design meets ADA standards, includes beveled edge and slip-resistant texture
- Heavy duty UV-resistant polycarbonate for durability even in harsh environments
- Cord hooks hold two power cords in place, including most 16 gauge grounded extension cords
- Fits standard duplex, decorator and GFCI receptacles
- Rain chamber and "drip loop" design provide two levels of in-use protection
- Pre-attached weatherproof gasket keeps water from entering around the self-closing lid

COMPLIANCES

- cULus Listed
- NEC & NEMA 3R Compliant

Outdoor Comforts™
Enhance Your Outdoor Space!

CATALOG #	DESCRIPTION	DIMS.	COLOR	PKG. TYPE	STD. PKG.	BAR CODE
Weatherproof Deck Outlet Cover						
DOC320G	1-Gang, Deck Outlet Cover	7.125" x 3.25" x 8.5"	Gray	Box	4	
DOC320W	1-Gang, Deck Outlet Cover	7.125" x 3.25" x 8.5"	White	Box	4	
DOC320Z	1-Gang, Deck Outlet Cover	7.125" x 3.25" x 8.5"	Bronze	Box	4	
Weatherproof Deck Outlet Kit						
DOCKG320G	1-Gang, Deck Outlet Cover, 1-Gang metallic outlet box & Hubbell Pro GFCI	7.125" x 3.25" x 8.5"	Gray	Box	4	
DOCKG320W	1-Gang, Deck Outlet Cover, 1-Gang metallic outlet box & Hubbell Pro GFCI	7.125" x 3.25" x 8.5"	White	Box	4	
DOCKG320Z	1-Gang, Deck Outlet Cover, 1-Gang metallic outlet box & Hubbell Pro GFCI	7.125" x 3.25" x 8.5"	Bronze	Box	4	

NONMETALLIC RECEPTACLE / COVER COMBOS AND COMPLETE KITS

RECEPTACLE / METAL COVER COMBOS AND COMPLETE KITS

IN-USE COVER COMBOS AND COMPLETE KITS

APPLICATIONS

- Receptacle and cover combos for use whenever weatherproof protection is required while receptacle is in use

PRODUCT FEATURES

- High quality Hubbell WR/TR device included
- Quick-Fit keyhole mounting system allows cover installation in under a minute
- Universal Fit Adapter System Technology (U-Fast) comes pre-configured for GFCI
- Includes attached gasket and hardware
- Includes receptacle and cover
- Installation instructions and mounting hardware included

COMPLIANCES

- cULus File E313240
- 2014/2017 NEC® 406.9 (A) compliant
- 2014/2017 NEC® 406.9 (B) compliant (Extra Duty)
- NEMA 3R rated



IN-USE METAL COVER COMBOS AND COMPLETE KITS

APPLICATIONS

- Receptacle and metal cover combos for use whenever weatherproof protection is required

PRODUCT FEATURES

- High quality Hubbell WR/TR device included
- Heavy duty die-cast metal construction
- Includes gasket and mounting hardware
- Durable powder coat finish
- Lockable tab
- Includes receptacle and cover

COMPLIANCES

- UL File E212332
- 2014/2017 NEC® 406.9 (B) compliant (Extra Duty)
- NEMA 3R rated



CATALOG #	DESCRIPTION	DEPTH	COLOR	PKG. TYPE	STD. PKG.	BARCODE
Receptacle / Metal In-Use Cover Combos						
MD5881-0	Extra Duty® Hubbell WR/TR 15A Duplex / Vertical In-Use Metal Cover Combo	3"	Gray	Shrink	4	
MG5802-0	Extra Duty® Hubbell WR/TR 15A GFCI / Horizontal In-Use Metal Cover Combo	3"	Gray	Shrink	3	
MG5881-0	Extra Duty® Hubbell WR/TR 15A GFCI / Vertical In-Use Metal Cover Combo	3"	Gray	Shrink	4	
MD5802-0	Extra Duty® Hubbell WR/TR 15A Duplex / Horizontal In-Use Metal Cover Combo	3"	Gray	Shrink	3	
Complete Metal In-Use Cover Kits						
MKG4280SS	Extra Duty® In-Use Cover, Box and Hubbell WR/TR 15A Self Test GFCI	2" to 3.5"	Gray	Clamshell	4	

CATALOG #	DESCRIPTION	DEPTH	COLOR	PKG. TYPE	STD. PKG.	BARCODE
Receptacle / In-Use Cover Combos						
MG420CS	Extra Duty® Hubbell WR/TR 15 AMP Self Test GFCI / Cover Combo	2.75"	Clear	Shrink	4	
MD410C	Hubbell WR/TR 15 AMP Decorator Duplex / Cover Combo	2.75"	Clear	Shrink	10	
MG510CS	Hubbell WR/TR 15 AMP Self Test GFCI / Deep Cover Combo	3.25"	Clear	Shrink	8	
MD450G	Hubbell WR/TR 15 AMP Duplex/Expandable Cover Combo	1" to 3"	Gray	Shrink	8	
MG500GS	Extra Duty® Hubbell WR/TR 15 AMP GFCI/Expandable Cover Combo	1" to 3"	Gray	Shrink	6	
Complete In-Use Cover Kits						
MKG420CS	Extra Duty® In-Use Cover, Box and Hubbell WR/TR 15A Self Test GFCI Kit	2.75"	Clear	Shrink	4	

IN-USE METAL COVERS

APPLICATIONS

- Designed to provide weatherproof protection while an outlet is in use

PRODUCT FEATURES

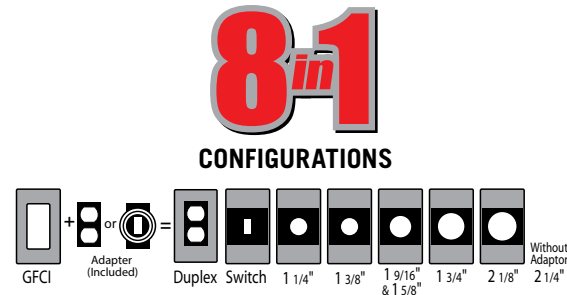
- Heavy duty die-cast metal construction
- Meets or exceeds Extra Duty® specifications
- Quick-Fit keyhole mounting system allows cover installation in under a minute
- Includes gasket and mounting hardware
- Universal Fit Adapter System Technology (U-Fast) comes pre-configured for GFCI
- Durable powder coat finish
- Lockable tab (fits up to 1/4" shackle)

COMPLIANCES

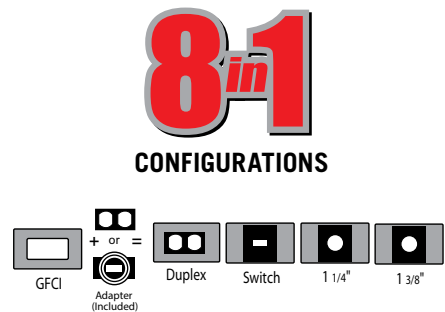
- cULus File E212332
- 2014/2017 NEC® compliant
- NEMA 3R rated



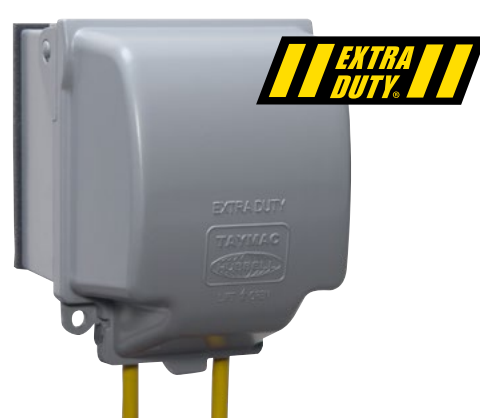
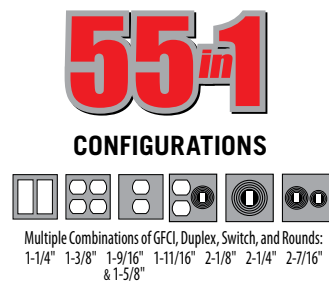
MX3200



MX3300



MX6200



MX7200

CATALOG #	DESCRIPTION	DEPTH	COLOR	PKG. TYPE	STD. PKG.	BARCODE
MX3200	Extra Duty® Vertical 8-in-1	3.125"	Gray	Shrink	4	
MX3300	Extra Duty® Horizontal 8-in-1	3.5"	Gray	Shrink	4	
MX6200	Extra Duty® 2-Gang 55-in-1	3.5"	Gray	Shrink	4	
MX7200	Extra Duty® Jumbo 2-Gang 55-in-1	5.125"	Gray	Shrink	2	

IN-USE LOW PROFILE METAL COVERS

APPLICATIONS

- Designed to provide weatherproof protection while an outlet is in use

PRODUCT FEATURES

- Heavy duty die-cast metal construction
- Meets or exceeds Extra Duty® specifications
- Quick-Fit keyhole mounting system allows cover installation in under a minute
- Includes gasket and mounting hardware
- Universal Fit Adapter System Technology (U-Fast) comes pre-configured for GFCI
- Durable powder coat finish
- Lockable open or closed and fits fullsize padlock (up to 5/16" shackle)

COMPLIANCES

- cULus File E212332
- 2014/2017 NEC® compliant
- NEMA 3R rated



MX4280S



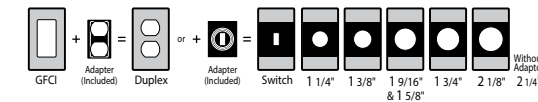
MX4280WH



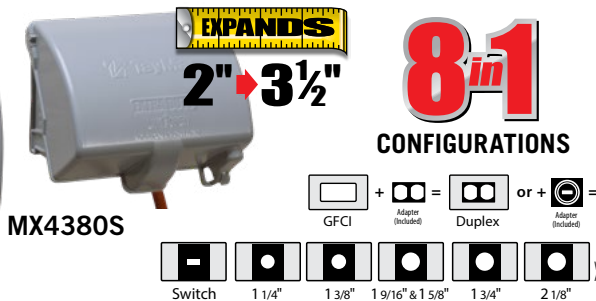
MX4280Z



8-in-1 CONFIGURATIONS



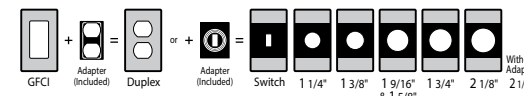
MX4380S



MX5280S



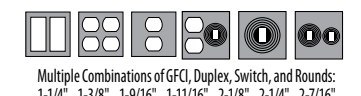
8-in-1 CONFIGURATIONS



MX7280S



55-in-1 CONFIGURATIONS



CATALOG #	DESCRIPTION	DEPTH	COLOR	PKG. TYPE	STD. PKG.	BARCODE
Metal Low Profile In-Use Covers						
MX4280S	Extra Duty® Vertical 8-in-1	2" to 3-1/2"	Gray	Shrink	6	
MX4280WH	Extra Duty® Vertical 8-in-1	2" to 3-1/2"	White	Shrink	6	
MX4280Z	Extra Duty® Vertical 8-in-1	2" to 3-1/2"	Bronze	Shrink	6	
MX4380S	Extra Duty® Horizontal 8-in-1	2" to 3-1/2"	Gray	Shrink	4	
MX5280S	Extra Duty® Vertical Deep 8-in-1	2-1/2" to 4-1/2"	Gray	Shrink	2	
MX7280S	Extra Duty® Vertical 2-Gang 55-in-1	2" to 3-1/2"	Gray	Shrink	2	

ACCESSORIES

APPLICATIONS

- Use in conjunction with other weatherproof products



CATALOG #	DESCRIPTION	COLOR	PKG. TYPE	STD. PKG.	BARCODE
Gaskets					
GK300	Kit of Six Gaskets: (2) 1-Gang, (2) 2-Gang and (2) Round Outlet Box	Black	Poly Bag	10	
GS100	2 Pack 1-Gang Gaskets	Black	Poly Bag	10	
GS400	2 Pack 3-Gang Gaskets	Black	Poly Bag	10	
Ground Spike					
SG100S	9" Die Cast Metal, Fits 1/2" Hole	Gray	Open	12	
Round Box Adapter					
PRBA400G	Plastic Round Box Adapter (Use to install outdoor device cover on round receptacle box)	Gray	Shrink	10	

RIGID/IMC CONDUIT BODIES



APPLICATIONS

- For use with threaded Rigid/IMC conduit for pulling access or to split a run into multiple directions. Removable cover included with complete assemblies allow access for maintenance and making taps and splices to conductors.

PRODUCT FEATURES

- Durable die-cast aluminum construction
- Premium powder coat finish
- Complete assemblies include a NBR synthetic rubber gasket and a stamped aluminum cover with combination head screws

COMPLIANCES

- eUL File E331564
- 2014 NEC compliant
- NEMA 3R rated

CATALOG #	DESCRIPTION	UNIT CTN QTY	SHIP CTN QTY	BARCODE
Threaded Conduit Fittings: LB Assembly				
RLB050	1/2" Rigid LB Assembly	-	10	
RLB075	3/4" Rigid LB Assembly	-	10	
RLB100	1" Rigid LB Assembly	-	5	
RLB125	1-1/4" Rigid LB Assembly	-	2	
RLB150	1-1/2" Rigid LB Assembly	-	2	
RLB200	2" Rigid LB Assembly	-	2	
RLB250	2-1/2" Rigid LB Assembly	-	1	
RLB300	3" Rigid LB Assembly	-	1	
RLB350	3-1/2" Rigid LB Assembly	-	1	
RLB400	4" Rigid LB Assembly	-	1	
Threaded Conduit Fittings: LB Body				
LB050	1/2" Rigid LB Type Body	10	100	
LB075	3/4" Rigid LB Type Body	10	50	
LB100	1" Rigid LB Type Body	5	25	
LB125	1-1/4" Rigid LB Type Body	2	10	
LB150	1-1/2" Rigid LB Type Body	2	10	
LB200	2" Rigid LB Type Body	1	5	
LB250	2-1/2" Rigid LB Type Body	-	1	
LB300	3" Rigid LB Type Body	-	1	
LB350	3-1/2" Rigid LB Type Body	-	1	
LB400	4" Rigid LB Type Body	-	1	
Threaded Conduit Fittings: C Assembly				
RLC050	1/2" Rigid C Assembly	-	5	
RLC075	3/4" Rigid C Assembly	-	5	
RLC100	1" Rigid C Assembly	-	5	
RLC125	1-1/4" Rigid C Assembly	-	2	
RLC150	1-1/2" Rigid C Assembly	-	2	
RLC200	2" Rigid C Assembly	-	2	
RLC250	2-1/2" Rigid C Assembly	-	1	
RLC300	3" Rigid C Assembly	-	1	
RLC350	3-1/2" Rigid C Assembly	-	1	
RLC400	4" Rigid C Assembly	-	1	

CATALOG #	DESCRIPTION	UNIT CTN QTY	SHIP CTN QTY	BARCODE
Threaded Conduit Fittings: C Body				
RC050	1/2" Rigid C Type Body	10	100	
RC075	3/4" Rigid C Type Body	10	50	
RC100	1" Rigid C Type Body	5	25	
RC125	1-1/4" Rigid C Type Body	2	10	
RC150	1-1/2" Rigid C Type Body	2	10	
RC200	2" Rigid C Type Body	1	5	
RC250	2-1/2" Rigid C Type Body	-	1	
RC300	3" Rigid C Type Body	-	1	
RC350	3-1/2" Rigid C Type Body	-	1	
RC400	4" Rigid C Type Body	-	1	
Threaded Conduit Fittings: LL Assembly				
RLL050	1/2" Rigid LL Assembly	-	5	
RLL075	3/4" Rigid LL Assembly	-	5	
RLL100	1" Rigid LL Assembly	-	5	
RLL125	1-1/4" Rigid LL Assembly	-	2	
RLL150	1-1/2" Rigid LL Assembly	-	2	
RLL200	2" Rigid LL Assembly	-	2	
RLL250	2-1/2" Rigid LL Assembly	-	1	
RLL300	3" Rigid LL Assembly	-	1	
RLL350	3-1/2" Rigid LL Assembly	-	1	
RLL400	4" Rigid LL Assembly	-	1	
Threaded Conduit Fittings: LL Body				
LL050	1/2" Rigid LL Type Body	10	100	
LL075	3/4" Rigid LL Type Body	10	50	
LL100	1" Rigid LL Type Body	5	25	
LL125	1-1/4" Rigid LL Type Body	2	10	
LL150	1-1/2" Rigid LL Type Body	2	10	
LL200	2" Rigid LL Type Body	1	5	
LL250	2-1/2" Rigid LL Type Body	-	1	
LL300	3" Rigid LL Type Body	-	1	
LL350	3-1/2" Rigid LL Type Body	-	1	
LL400	4" Rigid LL Type Body	-	1	

RIGID/IMC CONDUIT BODIES

APPLICATIONS

- For use with threaded Rigid/IMC conduit for pulling access or to split a run into multiple directions. Removable cover included with complete assemblies allow access for maintenance and making taps and splices to conductors.

PRODUCT FEATURES

- Durable die-cast aluminum construction
- Premium powder coat finish
- Complete assemblies include a NBR synthetic rubber gasket and a stamped aluminum cover with combination head screws

COMPLIANCES

- cULus File E331564
- 2014 NEC® compliant
- NEMA 3R rated



RLR050 - RLR400

LR050 - LR400

RSLB050 - RSLB200

RLT050 - RLT400

T050 - T400

CATALOG #	DESCRIPTION	UNIT CTN QTY	SHIP CTN QTY	BARCODE
Threaded Conduit Fittings: LR Assembly				
RLR050	1/2" Rigid LR Assembly	-	5	
RLR075	3/4" Rigid LR Assembly	-	5	
RLR100	1" Rigid LR Assembly	-	5	
RLR125	1-1/4" Rigid LR Assembly	-	2	
RLR150	1-1/2" Rigid LR Assembly	-	2	
RLR200	2" Rigid LR Assembly	-	2	
RLR250	2-1/2" Rigid LR Assembly	-	1	
RLR300	3" Rigid LR Assembly	-	1	
RLR350	3-1/2" Rigid LR Assembly	-	1	
RLR400	4" Rigid LR Assembly	-	1	
Threaded Conduit Fittings: LR Body				
LR050	1/2" Rigid LR Type Body	10	100	
LR075	3/4" Rigid LR Type Body	10	50	
LR100	1" Rigid LR Type Body	5	25	
LR125	1-1/4" Rigid LR Type Body	2	10	
LR150	1-1/2" Rigid LR Type Body	2	10	
LR200	2" Rigid LR Type Body	1	5	
LR250	2-1/2" Rigid LR Type Body	-	1	
LR300	3" Rigid LR Type Body	-	1	
LR350	3-1/2" Rigid LR Type Body	-	1	
LR400	4" Rigid LR Type Body	-	1	
Threaded Conduit Fittings: T Assembly				
RLT050	1/2" Rigid T Assembly	-	5	
RLT075	3/4" Rigid T Assembly	-	5	
RLT100	1" Rigid T Assembly	-	5	
RLT125	1-1/4" Rigid T Assembly	-	2	
RLT150	1-1/2" Rigid T Assembly	-	2	
RLT200	2" Rigid T Assembly	-	2	
RLT250	2-1/2" Rigid T Assembly	-	1	
RLT300	3" Rigid T Assembly	-	1	
RLT350	3-1/2" Rigid T Assembly	-	1	
RLT400	4" Rigid T Assembly	-	1	
Threaded Conduit Fittings: T Body				
T050	1/2" Rigid T Type Body	10	100	
T075	3/4" Rigid T Type Body	10	50	
T100	1" Rigid T Type Body	5	25	
T125	1-1/4" Rigid T Type Body	2	10	
T150	1-1/2" Rigid T Type Body	2	10	
T200	2" Rigid T Type Body	-	2	
T250	2-1/2" Rigid T Type Body	-	1	
T300	3" Rigid T Type Body	-	1	
T350	3-1/2" Rigid T Type Body	-	1	
T400	4" Rigid T Type Body	-	1	
Threaded Service Entrance Elbow				
RSLB050	1/2" Rigid SLB	-	10	
RSLB075	3/4" Rigid SLB	-	5	
RSLB100	1" Rigid SLB	-	3	
RSLB125	1-1/4" Rigid SLB	-	2	
RSLB150	1-1/2" Rigid SLB	-	2	
RSLB200	2" Rigid SLB	-	2	

EMT CONDUIT BODIES

APPLICATIONS

- For use with EMT conduit for pulling access or to split a run into multiple directions. Removable cover included with complete assemblies allow access for maintenance and making taps and splices to conductors.

PRODUCT FEATURES

- Durable die-cast aluminum construction
- Premium powder coat finish
- Combination head set screws
- Complete assemblies include a NBR synthetic rubber gasket and a stamped aluminum cover with combination head screws

COMPLIANCES

- cULus File E331564
- 2014 NEC® compliant
- NEMA 3R rated



EALB050 - EALB400

ELB050 - ELB400

EAC050 - EAC400

EALLO50 - EALL400

ELLO50 - ELL400

CATALOG #	DESCRIPTION	UNIT CTN QTY	SHIP CTN QTY	BARCODE
EMT Conduit Fittings: LB Assembly				
EALB050	1/2" EMT LB Assembly	10	100	
EALB075	3/4" EMT LB Assembly	10	50	
EALB100	1" EMT LB Assembly	5	25	
EALB125	1-1/4" EMT LB Assembly	2	10	
EALB150	1-1/2" EMT LB Assembly	2	10	
EALB200	2" EMT LB Assembly	1	5	
EALB250	2-1/2" EMT LB Assembly	-	1	
EALB300	3" EMT LB Assembly	-	1	
EALB350	3-1/2" EMT LB Assembly	-	1	
EALB400	4" EMT LB Assembly	-	1	
EMT Conduit Fittings: LB Body				
ELB050	1/2" EMT LB Type Body	10	100	
ELB075	3/4" EMT LB Type Body	10	50	
ELB100	1" EMT LB Type Body	5	25	
ELB125	1-1/4" EMT LB Type Body	2	10	
ELB150	1-1/2" EMT LB Type Body	2	10	
ELB200	2" EMT LB Type Body	1	5	
ELB250	2-1/2" EMT LB Type Body	-	1	
ELB300	3" EMT LB Type Body	-	1	
ELB350	3-1/2" EMT LB Type Body	-	1	
ELB400	4" EMT LB Type Body	-	1	
EMT Conduit Fittings: C Assembly				
EAC050	1/2" EMT C Assembly	10	100	
EAC075	3/4" EMT C Assembly	5	50	
EAC100	1" EMT C Assembly	5	25	
EAC125	1-1/4" EMT C Assembly	5	25	
EAC150	1-1/2" EMT C Assembly	5	10	
EAC200	2" EMT C Assembly	1	5	
EAC250	2-1/2" EMT C Assembly	-	1	
EAC300	3" EMT C Assembly	-	1	
EAC350	3-1/2" EMT C Assembly	-	1	
EAC400	4" EMT C Assembly	-	1	

CATALOG #	DESCRIPTION	UNIT CTN QTY	SHIP CTN QTY	BARCODE
EMT Conduit Fittings: C Body				
EC050	1/2" EMT C Type Body	10	100	
EC075	3/4" EMT C Type Body	10	50	
EC100	1" EMT C Type Body	5	25	
EC125	1-1/4" EMT C Type Body	2	10	
EC150	1-1/2" EMT C Type Body	2	10	
EC200	2" EMT C Type Body	1	5	
EC250	2-1/2" EMT C Type Body	-	1	
EC300	3" EMT C Type Body	-	1	
EC350	3-1/2" EMT C Type Body	-	1	
EC400	4" EMT C Type Body	-	1	
EMT Conduit Fittings: LL Assembly				
EALLO50	1/2" EMT LL Assembly	10	100	
EALLO75	3/4" EMT LL Assembly	5	50	
EALL100	1" EMT LL Assembly	5	25	
EALL125	1-1/4" EMT LL Assembly	2	10	
EALL150	1-1/2" EMT LL Assembly	2	10	
EALL200	2" EMT LL Assembly	1	5	
EALL250	2-1/2" EMT LL Assembly	-	1	
EALL300	3" EMT LL Assembly	-	1	
EALL350	3-1/2" EMT LL Assembly	-	1	
EALL400	4" EMT LL Assembly	-	1	
EMT Conduit Fittings: LL Type Body				
ELLO50	1/2" EMT LL Type Body	10	100	
ELLO75	3/4" EMT LL Type Body	10	50	
ELL100	1" EMT LL Type Body	5	25	
ELL125	1-1/4" EMT LL Type Body	2	10	
ELL150	1-1/2" EMT LL Type Body	2	10	
ELL200	2" EMT LL Type Body	1	5	
ELL250	2-1/2" EMT LL Type Body	-	1	
ELL300	3" EMT LL Type Body	-	1	
ELL350	3-1/2" EMT LL Type Body	-	1	
ELL400	4" EMT LL Type Body	-	1	

EMT CONDUIT BODIES

APPLICATIONS

- For use with EMT conduit for pulling access or to split a run into multiple directions. Removable cover included with complete assemblies allow access for maintenance and making taps and splices to conductors.

PRODUCT FEATURES

- Durable die-cast aluminum construction
- Premium powder coat finish
- Combination head set screws
- Complete assemblies include a NBR synthetic rubber gasket and a stamped aluminum cover with combination head screws

COMPLIANCES

- cULus File E331564
- 2014 NEC® compliant
- NEMA 3R rated



EALR050 - EALR400



ELR050 - ELR400



EAT050 - EAT400



ET050 - ET400

COMBO (RIGID/IMC OR EMT) BODIES

APPLICATIONS

- For use with threaded Rigid/IMC or EMT conduit for pulling access or to split a run into multiple directions. Removable cover included with complete assemblies allow access for maintenance and making taps and splices to conductors.

PRODUCT FEATURES

- Durable die-cast aluminum construction
- Premium powder coat finish
- Combination head set screws
- Complete assemblies include a NBR synthetic rubber gasket and a stamped aluminum cover with combination head screws

COMPLIANCES

- cULus File E331564
- 2014 NEC® compliant
- NEMA 3R rated



COLB050 - COLB200



CLB050 - CLB200



COC050 - COC200



CC050 - CC200

CATALOG #	DESCRIPTION	UNIT CTN QTY	SHIP CTN QTY	BARCODE
EMT Conduit Fittings: LR Assembly				
EALR050	1/2" EMT LR Assembly	10	100	
EALR075	3/4" EMT LR Assembly	5	10	
EALR100	1" EMT LR Assembly	5	25	
EALR125	1-1/4" EMT LR Assembly	2	10	
EALR150	1-1/2" EMT LR Assembly	2	10	
EALR200	2" EMT LR Assembly	1	5	
EALR250	2-1/2" EMT LR Assembly	-	1	
EALR300	3" EMT LR Assembly	-	1	
EALR350	3-1/2" EMT LR Assembly	-	1	
EALR400	4" EMT LR Assembly	-	1	
EMT Conduit Fittings: LR Body				
ELR050	1/2" EMT LR Type Body	10	100	
ELR075	3/4" EMT LR Type Body	10	50	
ELR100	1" EMT LR Type Body	5	25	
ELR125	1-1/4" EMT LR Type Body	2	10	
ELR150	1-1/2" EMT LR Type Body	2	10	
ELR200	2" EMT LR Type Body	1	5	
ELR250	2-1/2" EMT LR Type Body	-	1	
ELR300	3" EMT LR Type Body	-	1	
ELR350	3-1/2" EMT LR Type Body	-	1	
ELR400	4" EMT LR Type Body	-	1	

CATALOG #	DESCRIPTION	UNIT CTN QTY	SHIP CTN QTY	BARCODE
EMT Conduit Fittings: T Assembly				
EAT050	1/2" EMT T Assembly	10	50	
EAT075	3/4" EMT T Assembly	10	50	
EAT100	1" EMT T Assembly	5	25	
EAT125	1-1/4" EMT T Assembly	2	10	
EAT150	1-1/2" EMT T Assembly	2	10	
EAT200	2" EMT T Assembly	-	2	
EAT250	2-1/2" EMT T Assembly	-	1	
EAT300	3" EMT T Assembly	-	1	
EAT350	3-1/2" EMT T Assembly	-	1	
EAT400	4" EMT T Assembly	-	1	
EMT Conduit Fittings: T Body				
ET050	1/2" EMT T Type Body	10	100	
ET075	3/4" EMT T Type Body	10	50	
ET100	1" EMT T Type Body	5	25	
ET125	1-1/4" EMT T Type Body	2	10	
ET150	1-1/2" EMT T Type Body	2	10	
ET200	2" EMT T Type Body	-	2	
ET250	2-1/2" EMT T Type Body	-	1	
ET300	3" EMT T Type Body	-	1	
ET350	3-1/2" EMT T Type Body	-	1	
ET400	4" EMT T Type Body	-	1	

CATALOG #	DESCRIPTION	UNIT CTN QTY	SHIP CTN QTY	BARCODE
Combo Conduit Fittings: LB Assembly				
COLB050	1/2" Combo LB Assembly	10	100	
COLB075	3/4" Combo LB Assembly	10	50	
COLB100	1" Combo LB Assembly	5	25	
COLB125	1-1/4" Combo LB Assembly	2	10	
COLB150	1-1/2" Combo LB Assembly	2	10	
COLB200	2" Combo LB Assembly	-	5	
Combo Conduit Fittings: LB Body				
CLB050	1/2" Combo LB Type Body	10	100	
CLB075	3/4" Combo LB Type Body	10	50	
CLB100	1" Combo LB Type Body	5	25	
CLB125	1-1/4" Combo LB Type Body	2	10	
CLB150	1-1/2" Combo LB Type Body	2	10	
CLB200	2" Combo LB Type Body	-	5	

CATALOG #	DESCRIPTION	UNIT CTN QTY	SHIP CTN QTY	BARCODE
Combo Conduit Fittings: C Assembly				
COC050	1/2" Combo C Assembly	10	100	
COC075	3/4" Combo C Assembly	10	50	
COC100	1" Combo C Assembly	5	25	
COC125	1-1/4" Combo C Assembly	2	10	
COC150	1-1/2" Combo C Assembly	2	10	
COC200	2" Combo C Assembly	-	5	
Combo Conduit Fittings: C Body				
CC050	1/2" Combo C Type Body	10	100	
CC075	3/4" Combo C Type Body	10	50	
CC0100	1" Combo C Type Body	5	25	
CC0125	1-1/4" Combo C Type Body	2	10	
CC0150	1-1/2" Combo C Type Body	2	10	
CC200	2" Combo C Type Body	-	5	

COMBO (RIGID/IMC OR EMT) BODIES

APPLICATIONS

- For use with EMT conduit for pulling access or to split a run into multiple directions. Removable cover included with complete assemblies allow access for maintenance and making taps and splices to conductors.

PRODUCT FEATURES

- Durable die-cast aluminum construction
- Premium powder coat finish
- Combination head set screws
- Complete assemblies include a NBR synthetic rubber gasket and a stamped aluminum cover with combination head screws

COMPLIANCES

- cULus File E331564
- 2014 NEC® compliant
- NEMA 3R rated



CONDUIT BODY COVERS

APPLICATIONS

- For use with TayMac threaded Rigid/IMC, EMT, or Combo conduit bodies.

PRODUCT FEATURES

- Covers made of durable stamped steel or aluminum construction
- Retained combination head screws included with covers
- Gasket made of NBR synthetic rubber

COMPLIANCES

- cULus File E331564
- 2014 NEC® compliant
- NEMA 3R rated



CATALOG #	DESCRIPTION	UNIT CTN QTY	SHIP CTN QTY	BARCODE
Combo Conduit Fittings: LL Assembly				
COLL050	1/2" Combo LL Assembly	10	100	
COLL075	3/4" Combo LL Assembly	10	50	
COLL100	1" Combo LL Assembly	5	25	
COLL125	1-1/4" Combo LL Assembly	2	10	
COLL150	1-1/2" Combo LL Assembly	2	10	
COLL200	2" Combo LL Assembly	-	5	
Combo Conduit Fittings: LL Body				
CLL050	1/2" Combo LL Type Body	10	100	
CLL075	3/4" Combo LL Type Body	10	50	
CLL100	1" Combo LL Type Body	5	25	
CLL125	1-1/4" Combo LL Type Body	2	10	
CLL150	1-1/2" Combo LL Type Body	2	10	
CLL200	2" Combo LL Type Body	-	5	
Combo Conduit Fittings: LR Assembly				
COLR050	1/2" Combo LR Assembly	10	100	
COLR075	3/4" Combo LR Assembly	10	50	
COLR100	1" Combo LR Assembly	5	25	
COLR125	1-1/4" Combo LR Assembly	2	10	
COLR150	1-1/2" Combo LR Assembly	2	10	
COLR200	2" Combo LR Assembly	-	5	

CATALOG #	DESCRIPTION	UNIT CTN QTY	SHIP CTN QTY	BARCODE
EMT Conduit Fittings: LR Body				
CLR050	1/2" Combo LR Type Body	10	100	
CLR075	3/4" Combo LR Type Body	10	50	
CLR100	1" Combo LR Type Body	5	25	
CLR125	1-1/4" Combo LR Type Body	2	10	
CLR150	1-1/2" Combo LR Type Body	2	10	
CLR200	2" Combo LR Type Body	-	5	
Combo Conduit Fittings: T Assembly				
COT050	1/2" Combo T Assembly	10	100	
COT075	3/4" Combo T Assembly	10	50	
COT100	1" Combo T Assembly	5	25	
COT125	1-1/4" Combo T Assembly	2	10	
COT150	1-1/2" Combo T Assembly	2	10	
COT200	2" Combo T Assembly	-	5	
Combo Conduit Fittings: T Body				
CT050	1/2" Combo T Type Body	10	100	
CT075	3/4" Combo T Type Body	10	50	
CT100	1" Combo T Type Body	5	25	
CT125	1-1/4" Combo T Type Body	2	10	
CT150	1-1/2" Combo T Type Body	2	10	
CT200	2" Combo T Type Body	-	5	

CATALOG #	DESCRIPTION	UNIT CTN QTY	SHIP CTN QTY	BARCODE
Conduit Body Stamped Steel Covers				
SSC050	1/2" Stamped Steel Cover	25	250	
SSC075	3/4" Stamped Steel Cover	25	250	
SSC100	1" Stamped Steel Cover	10	100	
SSC125	1-1/4" Stamped Steel Cover	-	25	
SSC150	1-1/2" Stamped Steel Cover	-	25	
SSC200	2" Stamped Steel Cover	-	25	
SSC250	2-1/2" Stamped Steel Cover	-	10	
SSC300	3" Stamped Steel Cover	-	10	
SSC350	3-1/2" Stamped Steel Cover	-	5	
SSC400	4" Stamped Steel Cover	-	5	
Conduit Body Stamped Aluminum Covers				
CSC050	1/2" Stamped Alum. Cover	-	100	
CSC075	3/4" Stamped Alum. Cover	-	100	
CSC100	1" Stamped Alum. Cover	-	50	
CSC125	1-1/4" Stamped Alum. Cover	-	50	
CSC150	1-1/2" Stamped Alum. Cover	-	25	
CSC200	2" Stamped Alum. Cover	-	10	
CSC250	2-1/2" Stamped Alum. Cover	-	10	
CSC300	3" Stamped Alum. Cover	-	10	
CSC350	3-1/2" Stamped Alum. Cover	-	10	
CSC400	4" Stamped Alum. Cover	-	10	

CATALOG #	DESCRIPTION	UNIT CTN QTY	SHIP CTN QTY	BARCODE
Conduit Body Gaskets				
CRG050	1/2" Rubber Gasket	-	500	
CRG075	3/4" Rubber Gasket	-	500	
CRG100	1" Rubber Gasket	-	500	
CRG125	1-1/4" Rubber Gasket	-	200	
CRG150	1-1/2" Rubber Gasket	-	200	
CRG200	2" Rubber Gasket	-	100	
CRG250	2-1/2" Rubber Gasket	-	50	
CRG300	3" Rubber Gasket	-	50	
CRG350	3-1/2" Rubber Gasket	-	50	
CRG400	4" Rubber Gasket	-	50	

UNIVERSAL CONDUIT BODIES

APPLICATIONS

- For rigid/IMC or EMT. Configures to all standard bodies (LB, LR, LL, T, C)

PRODUCT FEATURES

- Unique interchangeable panels can be configured to LB, LR, LL, T or C
- Suitable for weatherproof installs
- Use set screws for EMT conduit, and threaded hubs for threaded Rigid/IMC conduit or fittings
- Available in trade sizes 1/2", 3/4" and 1"
- Lightweight, Durable TAYMAC TUFF Die Cast Aluminum Construction
- Seamless pre-affixed gasket and self-aligning covers/panels
- More wiring capacity than standard bodies and meets 2014 NEC 314.16(C)(2) for volume marking
- Tri-combo head set screws
- Unique design lends to easy, time-saving installations
- Captive screws with attached O-ring for ease of use and a weatherproof seal
- Includes 4 steel reducer bushings in the 1" size – (2) 1" to 3/4", (2) 1" to 1/2"; (2) 3/4" to 1/2" bushings in the 3/4" size
- Not suitable for use in hazardous location applications
- Includes (1) body, (3) blank covers/panels, (1) T panel, (1) LL/LB/LR panel, reducer bushings*, (1) closure plug and extra hardware

COMPLIANCES

- eUL File E331564
- NEC® and NEMA 3 compliant

10-in-1
CONFIGURATIONS

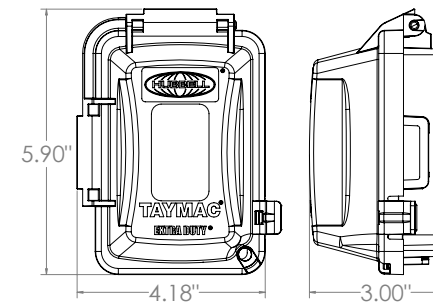


* 1/2" trade size does not include reducer bushings.

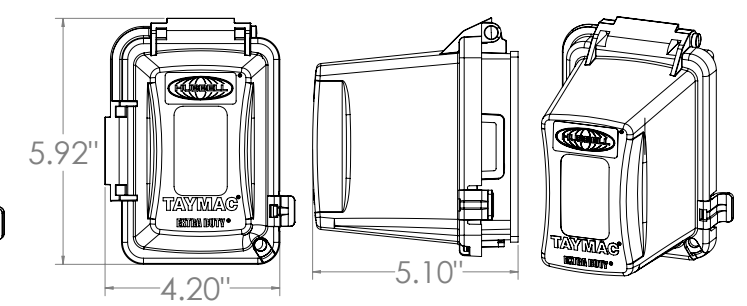
CATALOG #	DESCRIPTION	VOLUME	SHIP CTN QTY	PKG. TYPE	BARCODE
U-Conduit 10-in-1 Universal Conduit Body					
UCB050	1/2" Universal Conduit Body	5.8 cu in (95 cc)	10	Shrink Wrap	
UCB075	3/4" Universal Conduit Body	9.5 cu in (156 cc)	10	Shrink Wrap	
UCB100	1" Universal Conduit Body	14.3 cu in (234 cc)	10	Shrink Wrap	

NONMETALLIC IN-USE COVERS

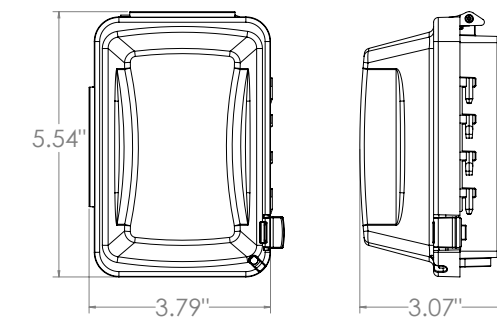
MM420



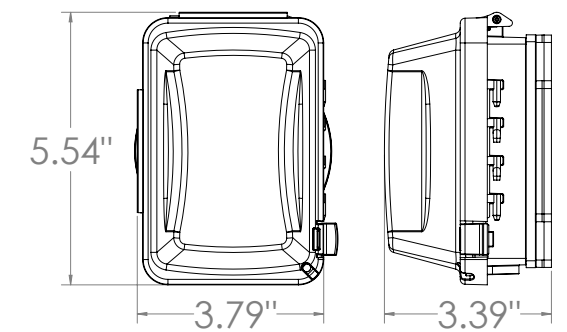
MM720



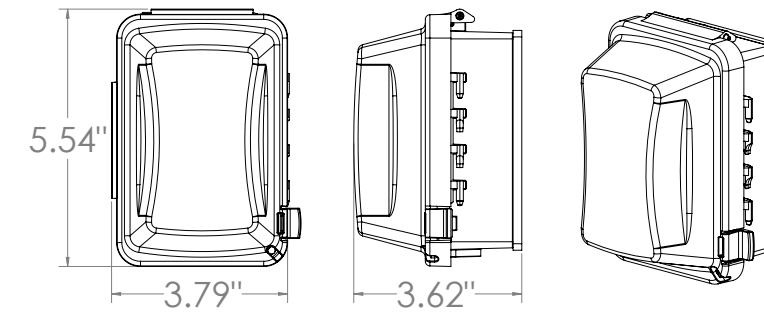
MM410



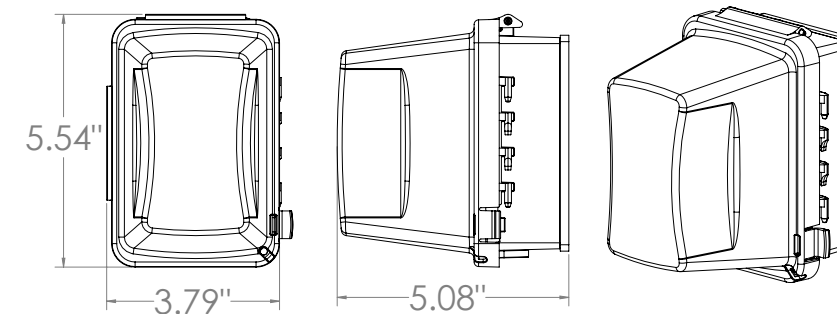
MM410CA (Round Box Adapter Plate)



MM510

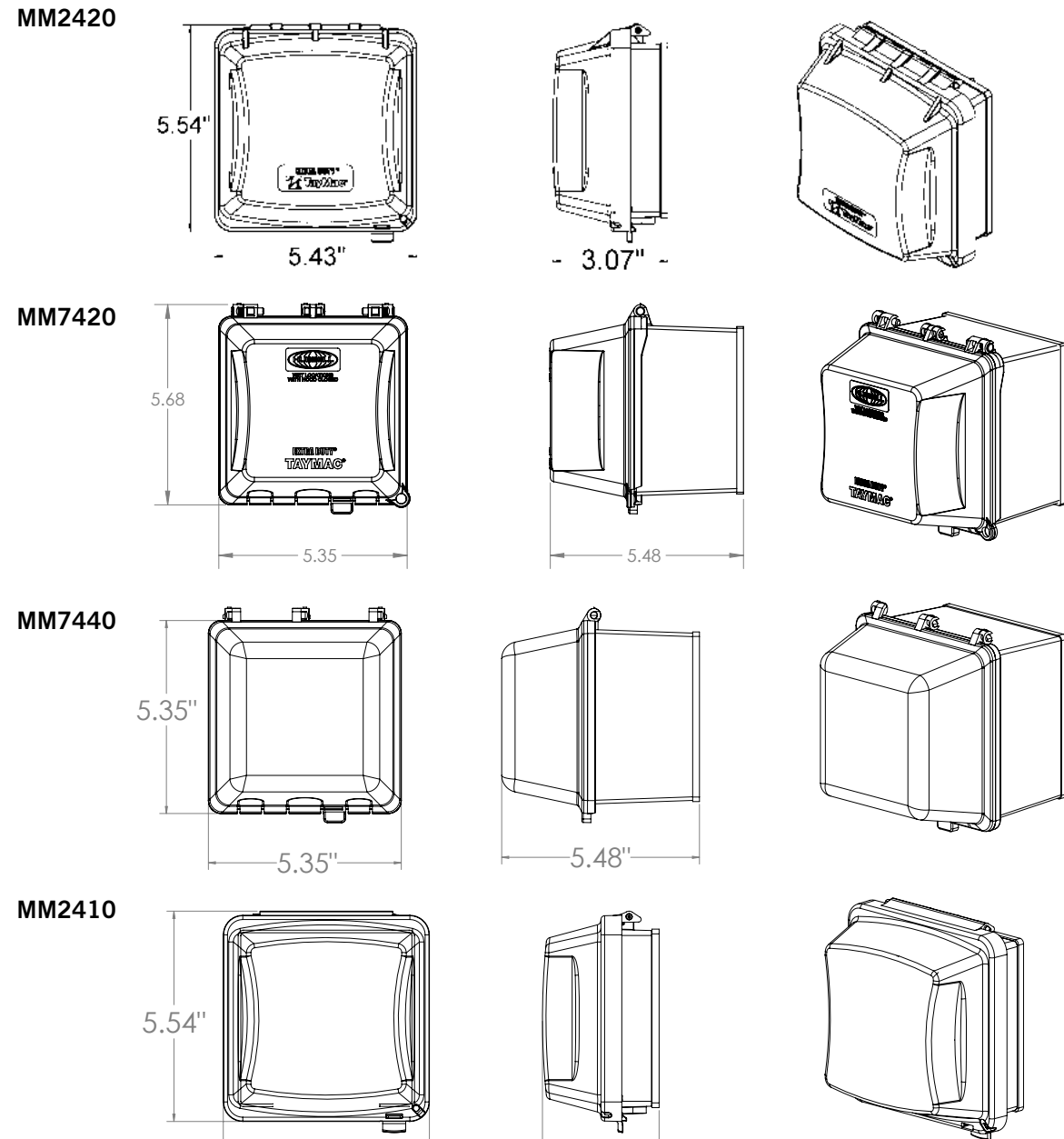


MM710

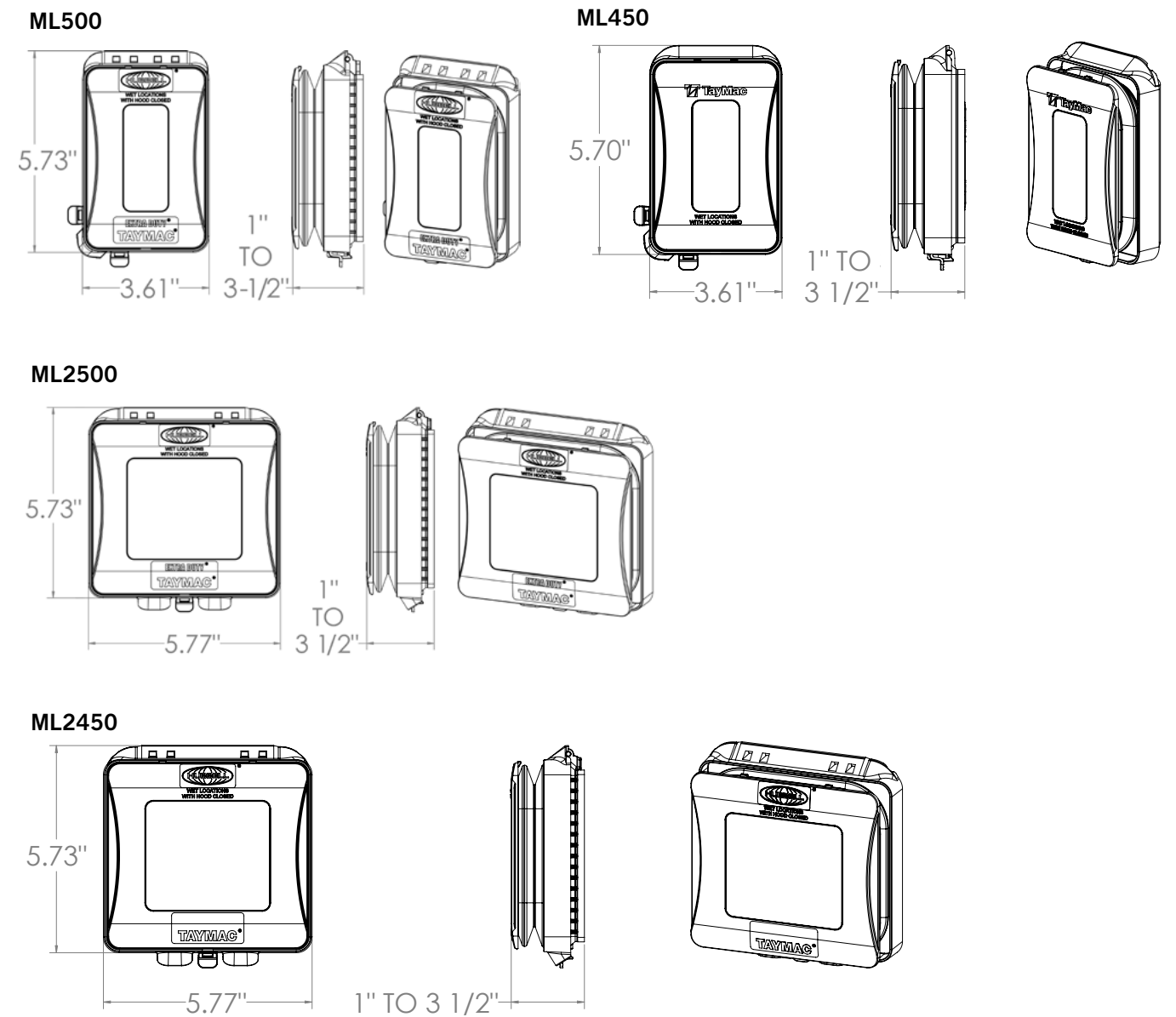


SEE END OF SECTION (PG C40) FOR DETAILED DRAWINGS >>

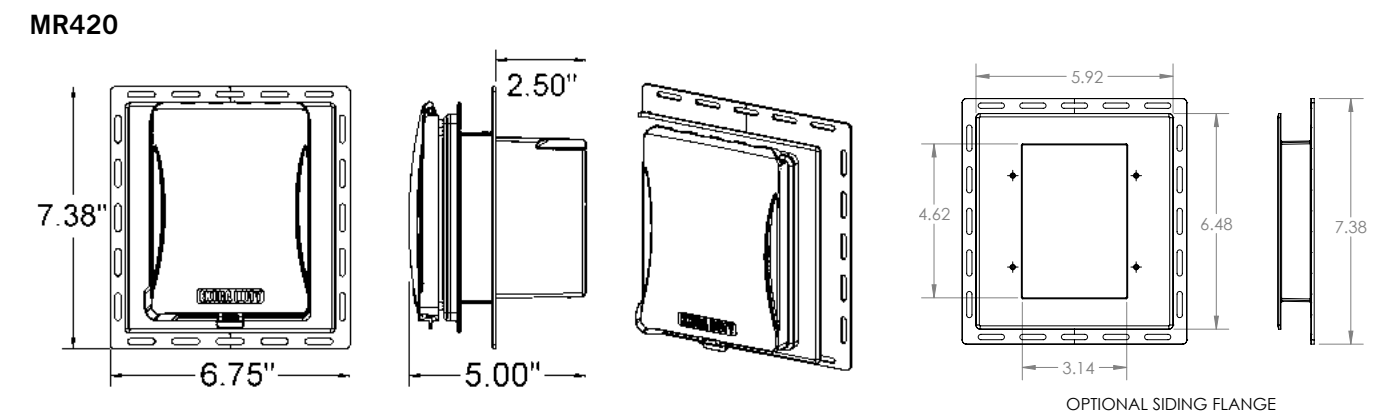
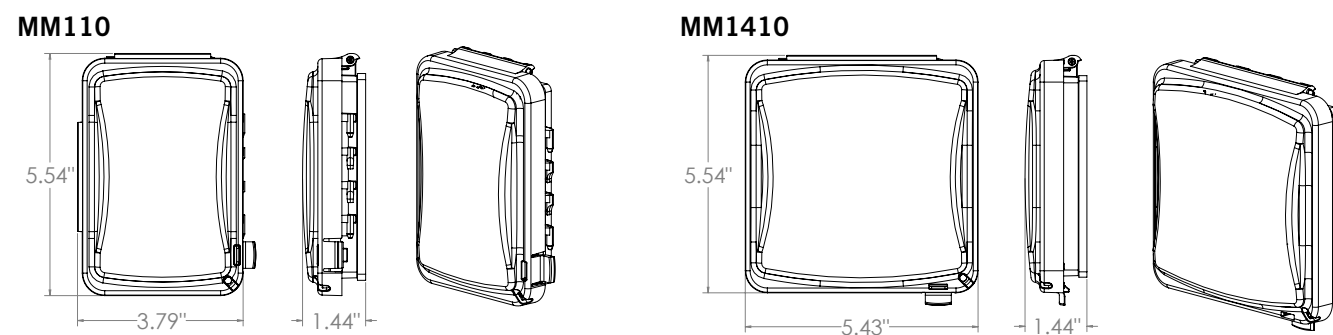
NONMETALLIC IN-USE COVERS



FLAT EXPANDABLE IN-USE COVERS

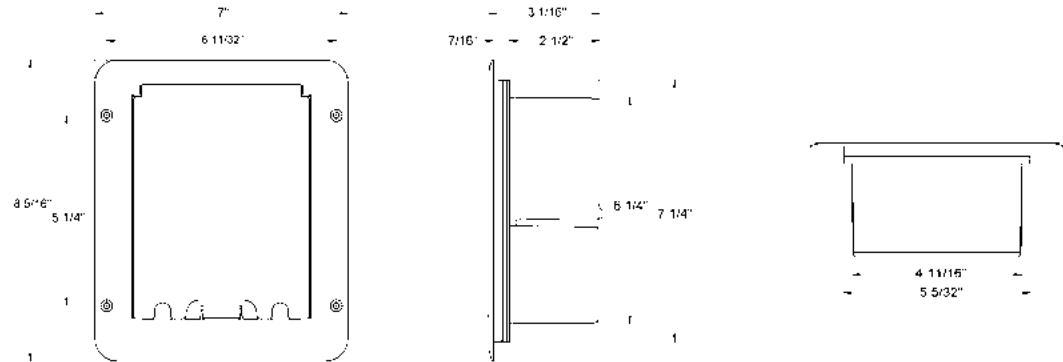


NONMETALLIC FLAT COVERS



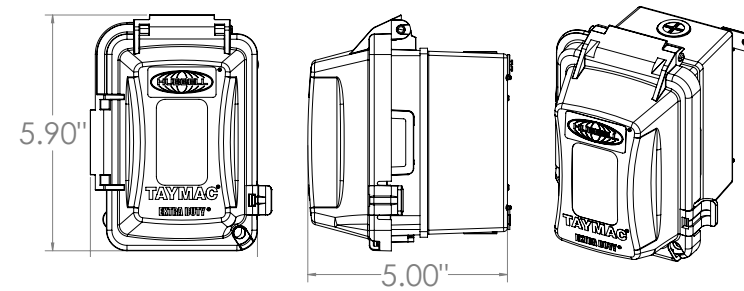
OUTDOOR OUTLET COVERS

DOC320
DOCKG320



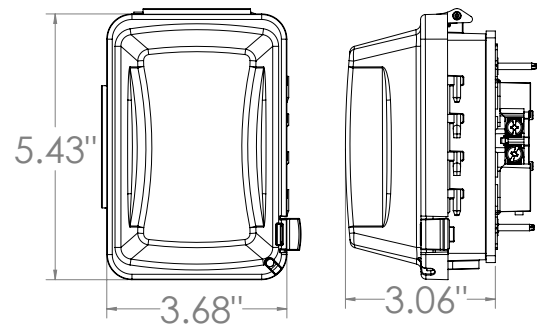
IN-USE COVER COMPLETE KITS

MKG420C

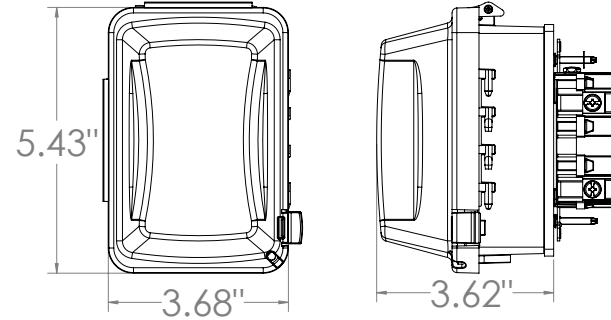


IN-USE COVER COMBOS

MD410

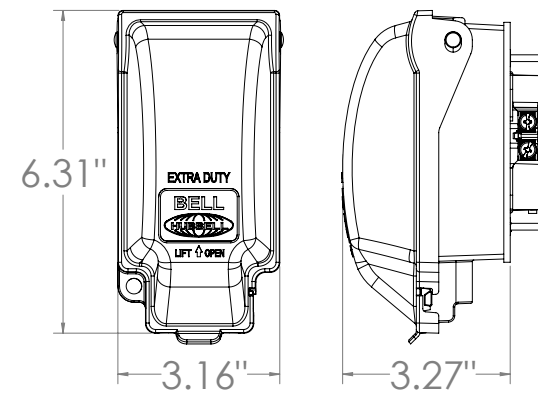


MG510

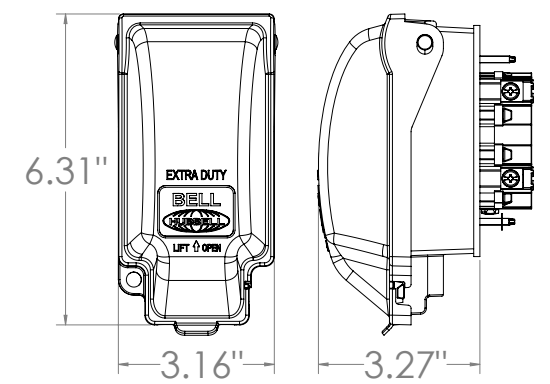


METAL IN-USE COVER COMBOS

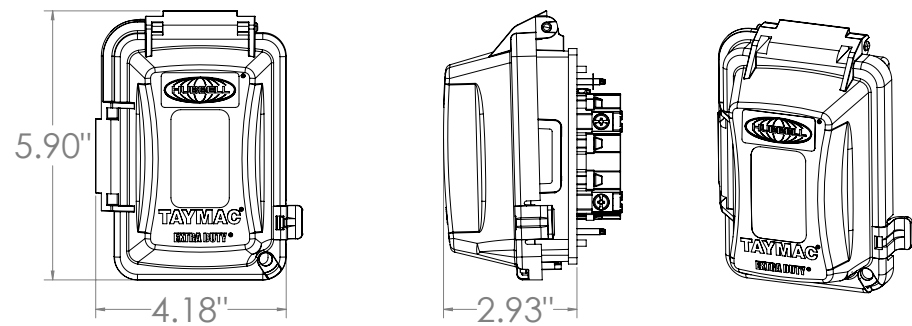
MD5881



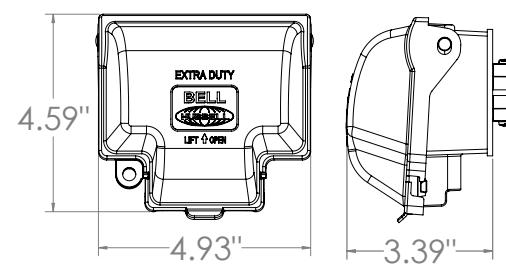
MG5881



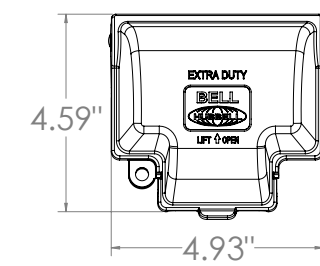
MG420



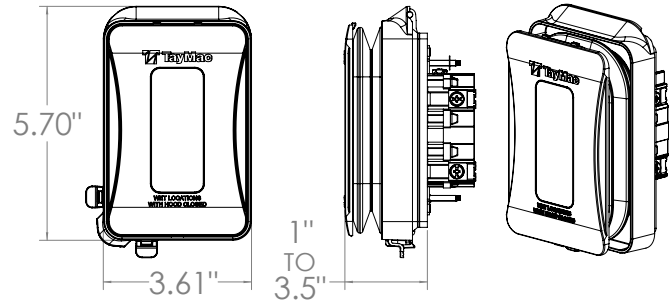
MD5802



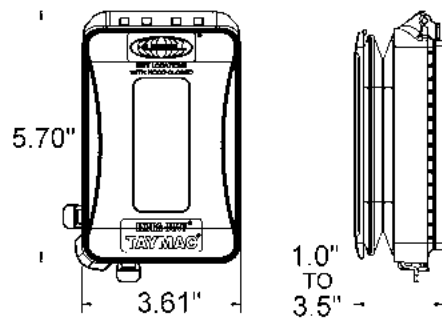
MG5802



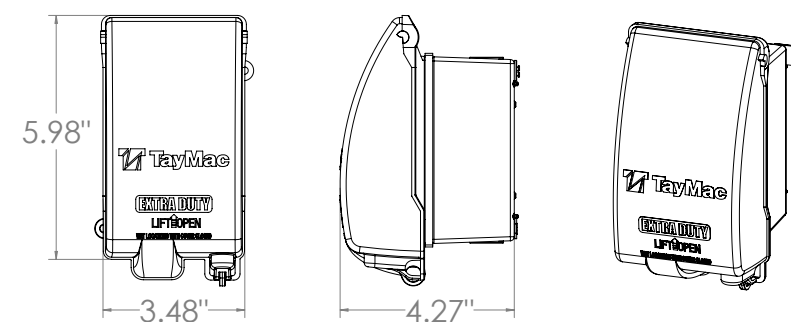
MD450



MG500

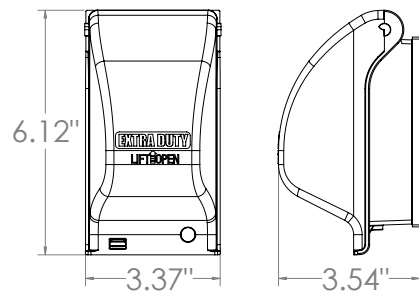


MKG4280S

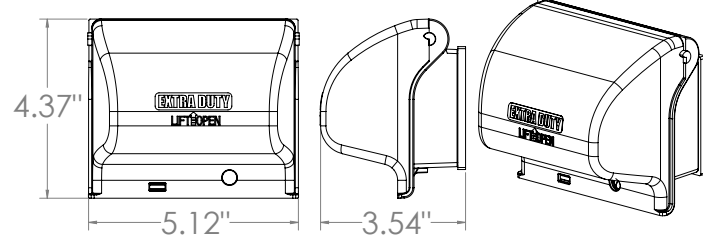


METAL IN-USE COVERS

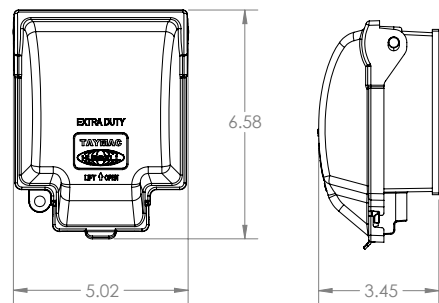
MX3200



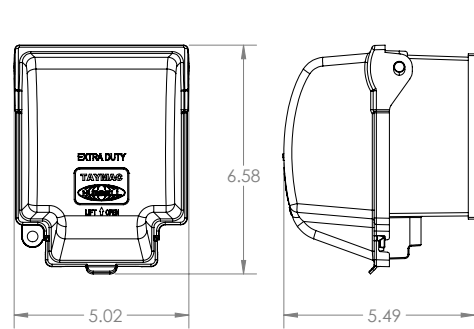
MX3300



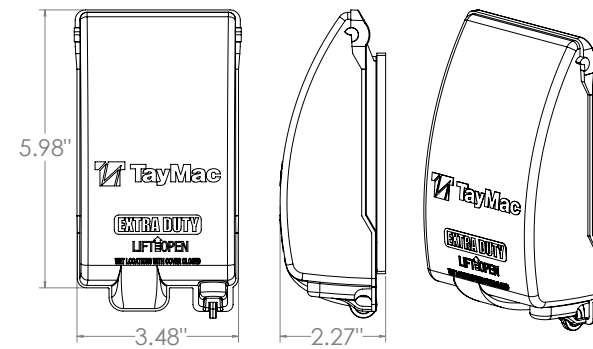
MX6200



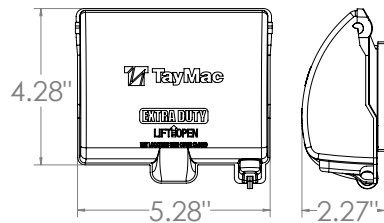
MX7200



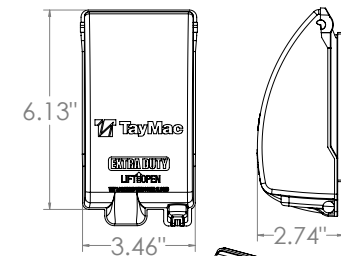
MX4280S



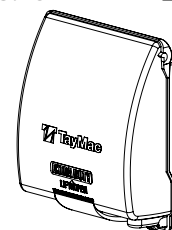
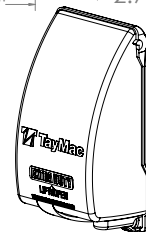
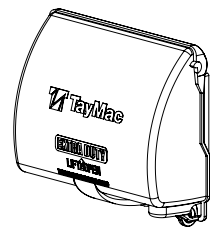
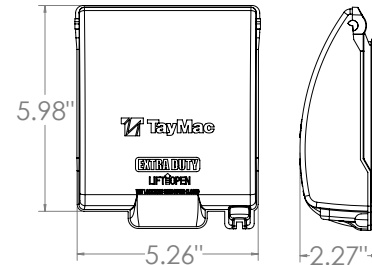
MX4380S



MX5280S

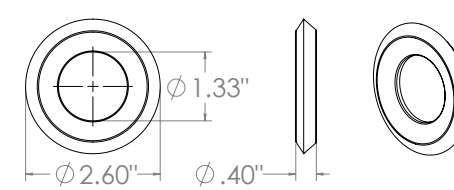


MX7280S

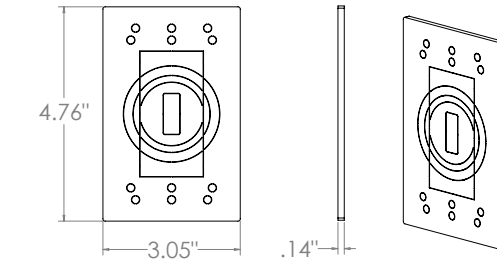


ACCESSORIES

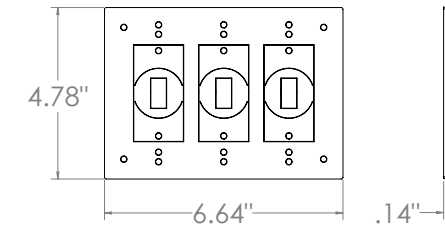
GK240



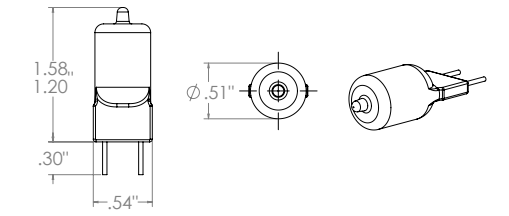
GS100



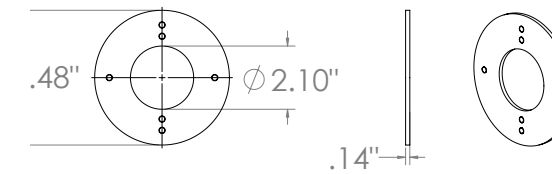
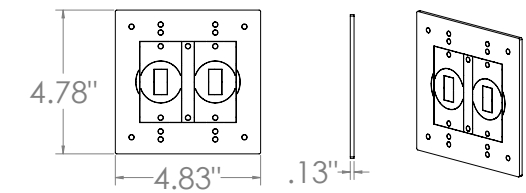
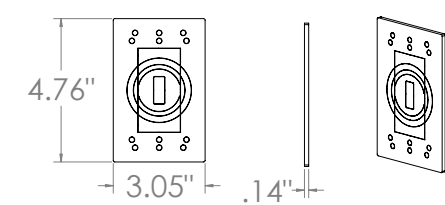
GS400



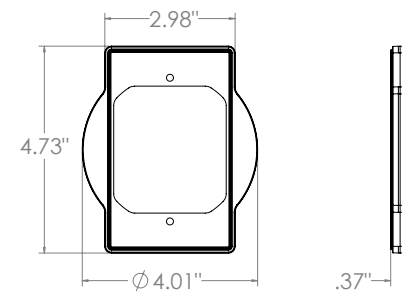
HB75W



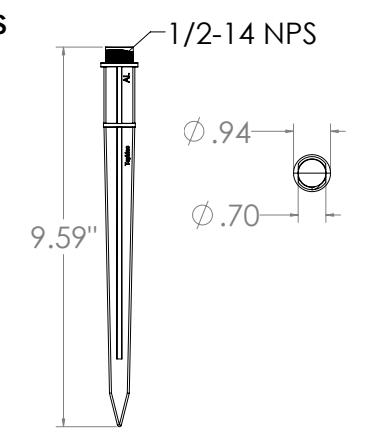
GK300



PRBA400G



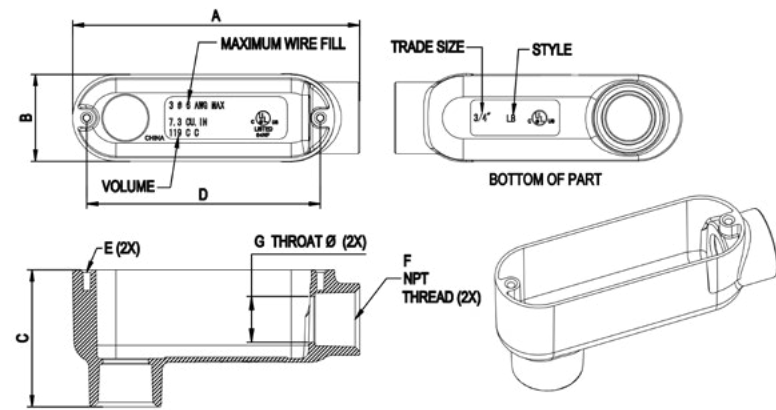
SG100S



CONDUIT BODIES

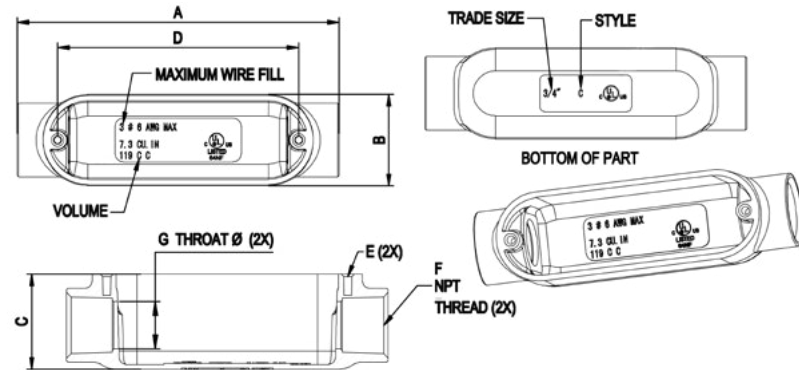
RLB/LB

TRADE SIZE	CATALOG NUMBER	A	B	C	D ±0.010 (.25)	E TAPPED HOLES	F NPT THREAD	G THROAT DIA +0/-0.020(0.51)	VOLUME	MAXIMUM WIRE FILL
1/2"	RLB050	4.31	1.34	2.09	3.500	#8-32UNC-2B	1/2-14NPT	0.612	4.3 CU.IN	
		109.5	34.0	53.1	88.90			15.54	70 CC	
3/4"	RLB075	5.08	1.56	2.39	4.125	#8-32UNC-2B	3/4-14NPT	0.814	7.3 CU.IN	3 # 6 AWG MAX
		129.0	39.6	60.7	104.78			20.68	119 CC	
1"	RLB100	5.92	1.82	2.78	4.830	#8-32UNC-2B	1-11 1/2NPT	1.039	12.0 CU.IN	3 # 4 AWG MAX
		150.4	46.2	70.6	122.68			26.39	196 CC	
1-1/4"	RLB125	7.82	2.51	3.52	6.500	#12-24UNC-2B	1-1/4-11 1/2NPT	1.370	32.3 CU.IN	3 # 2 AWG MAX
		198.6	63.8	89.4	165.10			34.80	529 CC	
1-1/2"	RLB150	7.82	2.51	3.52	6.500	#12-24UNC-2B	1-1/2-11 1/2NPT	1.600	34.2 CU.IN	3 # 2 AWG MAX
		198.6	63.8	89.4	165.10			40.64	560 CC	
2"	RLB200	10.05	3.19	4.51	8.562	#12-24UNC-2B	2-11 1/2NPT	2.057	71.4 CU.IN	3 # 2/0 MAX
		255.3	81.0	114.6	217.47			52.25	1170 CC	
2-1/2"	RLB250	12.83	4.49	5.31	11.250	#5/16UNC-2B	2-1/2-8NPT	2.459	157.4 CU.IN	3 # 4/0 MAX
		325.9	114.0	134.9	285.75			62.46	2579 CC	
3"	RLB300	12.83	4.49	5.91	11.250	#5/16UNC-2B	3-8NPT	3.058	179.8 CU.IN	3 # 250 MAX
		325.9	114.0	150.1	285.75			77.67	2946 CC	
3-1/2"	RLB350	15.65	5.55	7.09	13.687	#5/16UNC-2B	3-1/2-8NPT	3.538	323.0 CU.IN	3 # 250 MAX
		397.5	141.0	180.1	347.65			89.87	5293 CC	
4"	RLB400	15.65	5.55	7.09	13.687	#5/16UNC-2B	4-8NPT	4.016	323.0 CU.IN	3 # 250 MAX
		397.5	141.0	180.1	347.65			102.01	5293 CC	



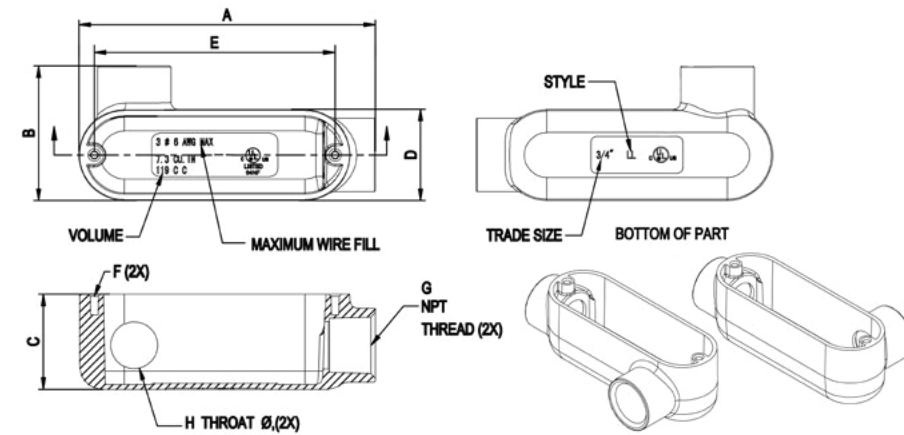
RLC/RC

TRADE SIZE	CATALOG NUMBER	A	B	C	D ±0.010 (.25)	E TAPPED HOLES	F NPT THREAD	G THROAT DIA +0/-0.020(0.51)	VOLUME	MAXIMUM WIRE FILL
1/2"	RLC050	4.72	1.34	1.36	3.500	#8-32UNC-2B	1/2-14NPT	0.612	4.3 CU.IN	
		119.9	34.0	34.5	88.90			15.54	70 CC	
3/4"	RLC075	5.51	1.56	1.63	4.125	#8-32UNC-2B	3/4-14NPT	0.814	7.3 CU.IN	3 # 6 AWG MAX
		140.0	39.6	41.3	104.78			20.68	119 CC	
1"	RLC100	6.46	1.82	1.89	4.830	#8-32UNC-2B	1-11 1/2NPT	1.039	12.0 CU.IN	3 # 4 AWG MAX
		164.1	46.2	48.0	122.68			26.39	196 CC	
1-1/4"	RLC125	8.35	2.51	2.50	6.500	#12-24UNC-2B	1-1/4-11 1/2NPT	1.370	32.3 CU.IN	3 # 2 AWG MAX
		212.1	63.8	63.5	165.10			34.80	529 CC	
1-1/2"	RLC150	8.35	2.51	2.50	6.500	#12-24UNC-2B	1-1/2-11 1/2NPT	1.600	34.2 CU.IN	3 # 2 AWG MAX
		212.1	63.8	63.5	165.10			40.64	560 CC	
2"	RLC200	10.55	3.19	3.41	8.562	#12-24UNC-2B	2-11 1/2NPT	2.057	71.4 CU.IN	3 # 2/0 MAX
		268.0	81.0	86.6	217.47			52.25	1170 CC	
2-1/2"	RLC250	13.46	4.49	3.98	11.250	#5/16UNC-2B	2-1/2-8NPT	2.459	157.4 CU.IN	3 # 4/0 MAX
		341.9	114.0	101.1	285.75			62.46	2579 CC	
3"	RLC300	13.46	4.49	4.53	11.250	#5/16UNC-2B	3-8NPT	3.058	179.8 CU.IN	3 # 250 MAX
		341.9	114.0	115.1	285.75			77.67	2946 CC	
3-1/2"	RLC350	16.30	5.55	5.59	13.687	#5/16UNC-2B	3-1/2-8NPT	3.538	323.0 CU.IN	3 # 250 MAX
		414.0	141.0	142.0	347.65			89.87	5293 CC	
4"	RLC400	16.30	5.55	5.59	13.687	#5/16UNC-2B	4-8NPT	4.016	323.0 CU.IN	3 # 250 MAX
		414.0	141.0	142.0	347.65			102.01	5293 CC	



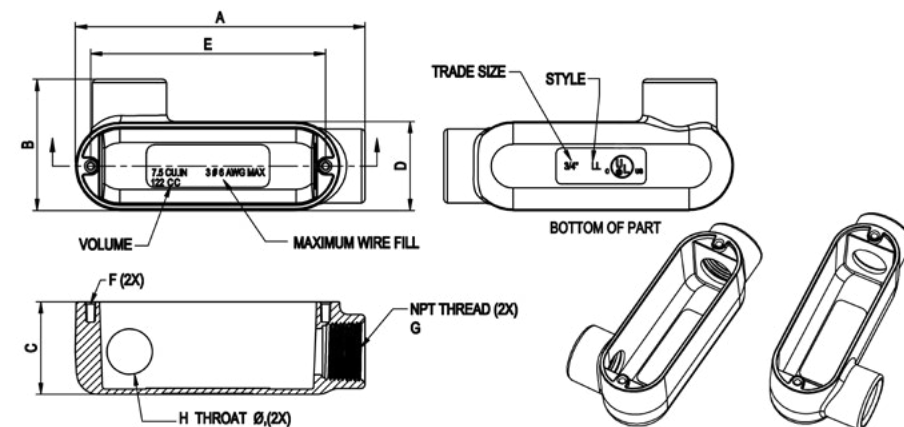
RLL/LL

TRADE SIZE	CATALOG NUMBER	A	B	C	D	E ±0.010 (.25)	F TAPPED HOLES	G NPT THREAD	H THROAT DIA +0/-0.020(0.51)	VOLUME	MAXIMUM WIRE FILL
1/2"	RLL050	4.31	2.03	1.36	1.34	3.500	#8-32UNC-2B	1/2-14NPT	0.612	4.3 CU.IN	
		109.5	51.6	34.5	34.0	88.90			15.54	70 CC	
3/4"	RLL075	5.08	2.30	1.63	1.56	4.125	#8-32UNC-2B	3/4-14NPT	0.814	7.3 CU.IN	3 # 6 AWG MAX
		129.0	58.4	41.3	39.6	104.78			20.68	119 CC	
1"	RLL100	5.92	2.68	1.89	1.82	4.830	#8-32UNC-2B	1-11 1/2NPT	1.039	12.0 CU.IN	3 # 4 AWG MAX
		150.4	68.1	48.0	46.2	122.68			26.39	196 CC	
1-1/4"	RLL125	7.82	3.52	2.50	2.51	6.500	#12-24UNC-2B	1-1/4-11 1/2NPT	1.370	32.3 CU.IN	3 # 2 AWG MAX
		198.6	89.4	63.5	63.8	165.10			34.80	529 CC	
1-1/2"	RLL150	7.82	3.52	2.50	2.51	6.500	#12-24UNC-2B	1-1/2-11 1/2NPT	1.600	34.2 CU.IN	3 # 2 AWG MAX
		198.6	89.4	63.5	63.8	165.10			40.64	560 CC	
2"	RLL200	10.05	4.27	3.41	3.19	8.562	#12-24UNC-2B	2-11 1/2NPT	2.057	71.4 CU.IN	3 # 2/0 MAX
		255.3	108.5	86.6	81.0	217.47			52.25	1170 CC	
2-1/2"	RLL250	12.83	5.89	3.98	4.49	11.250	#5/16UNC-2B	2-1/2-8NPT	2.459	157.4 CU.IN	3 # 4/0 MAX
		325.9	149.6	101.1	114.0	285.75			62.46	2579 CC	
3"	RLL300	12.83	5.89	4.53	4.49	11.250	#5/16UNC-2B	3-8NPT	3.058	179.8 CU.IN	3 # 250 MAX
		325.9	149.6	115.1	114.0	285.75			77.67	2946 CC	
3-1/2"	RLL350	15.65	7.66	5.59	5.55	13.687	#5/16UNC-2B	3-1/2-8NPT	3.538	323.0 CU.IN	3 # 250 MAX
		397.5	194.6	142.0	141.0	347.65			89.87	5293 CC	
4"	RLL400	15.65	7.66	5.59	5.55	13.687	#5/16UNC-2B	4-8NPT	4.016	323.0 CU.IN	3 # 250 MAX
		397.5	194.6	142.0	141.0	347.65			102.01	5293 CC	



RLR/LR

TRADE SIZE	CATALOG NUMBER	A	B	C	D	E ±0.010 (.25)	F TAPPED HOLES	G NPT THREAD	H THROAT DIA +0/-0.020(0.51)	VOLUME	MAXIMUM WIRE FILL
1/2"	RLR050	4.31	2.03	1.36	1.34	3.500	#8-32UNC-2B	1/2-14NPT	0.612	4.3 CU.IN	
		109.5	51.6	34.5	34.0	88.90			15.54	70 CC	
3/4"	RLR075	5.08	2.30	1.63	1.56	4.125	#8-32UNC-2B	3/4-14NPT	0.814	7.3 CU.IN	3 # 6 AWG MAX
		129.0	58.4	41.3	39.6	104.78			20.68	119 CC	
1"	RLR100	5.92	2.68	1.89	1.82	4.830	#8-32UNC-2B	1-11 1/2NPT	1.039	12.0 CU.IN	3 # 4 AWG MAX
		150.4	68.1	48.0	46.2	122.68			26.39	196 CC	
1-1/4"	RLR125	7.82	3.52	2.50	2.51	6.500	#12-24UNC-2B	1-1/4-11 1/2NPT	1.370	32.3 CU.IN	3 # 2 AWG MAX
		198.6	89.4	63.5	63.8	165.10			34.80	529 CC	
1-1/2"	RLR150	7.82	3.52	2.50	2.51	6.500	#12-24UNC-2B	1-1/2-11 1/2NPT	1.600	34.2 CU.IN	3 # 2 AWG MAX
		198.6	89.4	63.5	63.8	165.10			40.64	560 CC	
2"	RLR200	10.05	4.27	3.41	3.19	8.562	#12-24UNC-2B	2-11 1/2NPT	2.057	71.4 CU.IN	3 # 2/0 MAX
		255.3	108.5	86.6	81.0	217.47			52.25	1170 CC	
2-1/2"	RLR250	12.83	5.89	3.98	4.49	11.250	#5/16UNC-2B	2-1/2-8NPT	2.459	157.4 CU.IN	3 # 4/0 MAX
		325.9	149.6	101.1	114.0	285.75			62.46	2579 CC	
3"	RLR300	12.83	5.89	4.53	4.49	11.250	#5/16UNC-2B	3-8NPT	3.058	179.8 CU.IN	3 # 250 MAX
		325.9	149.6	115.1	114.0	285.75			77.67	2946 CC	
3-1/2"	RLR350	15.65	7.66	5.59	5.55	13.687	#5/16UNC-2B	3-1/2-8NPT	3.538	323.0 CU.IN	3 # 250 MAX
		397.5	194.6	142.0	141.0	347.65			89.87	5293 CC	
4"	RLR400	15.65	7.66	5.59	5.55	13.687	#5/16UNC-2B	4-8NPT	4.016	323.0 CU.IN	3 # 250 MAX
		397.5	194.6	142.0	141.0	347.65			102.01	5293 CC	

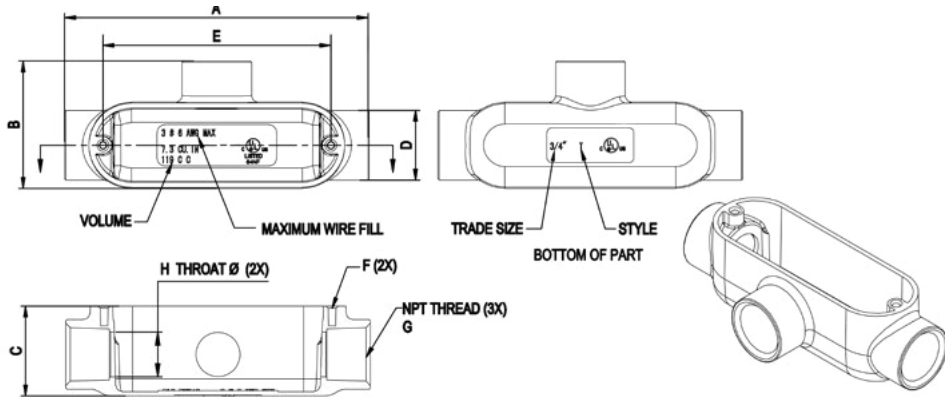


RLB/RLC/RLL/RLR/RLT (cover plate)

TRADE SIZE	A	B	C	D ±0.02	E	F	G
1/2"	3.900	1.340	0.070	3.500	2.890	0.827	0.181
	99.1	34.0	1.8	88.9	73.4	21.0	4.6
3/4"	4.665	1.535	0.070	4.126	3.465	0.886	0.181
	118.5	39.0	1.8	104.8	88.0	22.5	4.6
1"	5.374	1.732	0.070	4.831	4.291	1.398	0.181
	136.5	44.0	1.8	122.7	109.0	35.5	4.6
1-1/4"	7.283	2.500	0.070	6.500	5.827	1.437	0.181
	185.0	63.5	1.8	165.1	148.0	36.5	4.6
1-1/2"	7.283	2.500	0.070	6.500	5.827	1.437	0.181
	185.0	63.5	1.8	165.1	148.0	36.5	4.6
2"	9.488	3.150	0.070	8.563	7.539	1.732	0.181
	241.0	80.0	1.8	217.5	191.5	44.0	4.6
2-1/2"	12.205	4.528	0.098	11.25	10.2		

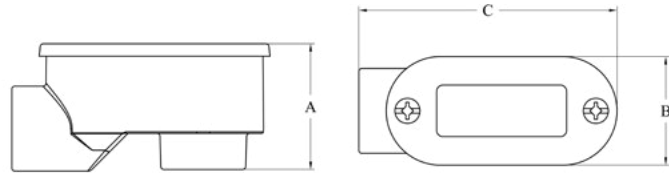
RLT/T

TRADE SIZE	CATALOG NUMBER	A	B	C	D	E ±0.010(25)	F TAPPED HOLES	G NPT THREAD	H THROAT DIA +0/-0.020(0.51)	VOLUME	MAXIMUM WIRE FILL
1/2"	RLT050	4.72	2.03	1.36	1.34	3.500	#8-32UNC-2B	1/2-14NPT	0.612	4.3 CU.IN 70 CC	
3/4"	RLT075	5.51	2.30	1.63	1.56	4.125	#8-32UNC-2B	3/4-14NPT	0.814	7.3 CU.IN 119 CC	3 # 6 AWG MAX
1"	RLT100	6.46	2.68	1.89	1.82	4.830	#8-32UNC-2B	1-11 1/2NPT	1.039	12.0 CU.IN 196 CC	3 # 4 AWG MAX
1-1/4"	RLT125	8.35	3.52	2.51	2.51	6.500	#12-24UNC-2B	1-1/4-11 1/2NPT	1.370	32.3 CU.IN 529 CC	3 # 2 AWG MAX
1-1/2"	RLT150	10.55	4.27	3.41	3.19	8.562	#12-24UNC-2B	1-1/2-11 1/2NPT	1.600	34.2 CU.IN 560 CC	3 # 2 AWG MAX
2"	RLT200	13.46	5.89	4.49	4.49	11.250	#5/16UNC-2B	2-11 1/2NPT	2.057	71.4 CU.IN 1170 CC	3 # 2/0 MAX
2-1/2"	RLT250	16.30	6.66	5.59	5.55	13.687	#5/16UNC-2B	2-1/2-8NPT	2.459	157.4 CU.IN 2579 CC	3 # 4/0 MAX
3"	RLT300	19.15	7.43	6.36	6.32	16.125	#5/16UNC-2B	3-8NPT	2.861	289.0 CU.IN 4640 CC	3 # 250 MAX
3-1/2"	RLT350	22.00	8.20	7.13	7.09	18.562	#5/16UNC-2B	3-1/2-8NPT	3.263	400.6 CU.IN 6540 CC	3 # 250 MAX
4"	RLT400	24.85	8.97	7.90	7.86	21.000	#5/16UNC-2B	4-8NPT	3.665	512.2 CU.IN 8380 CC	3 # 250 MAX



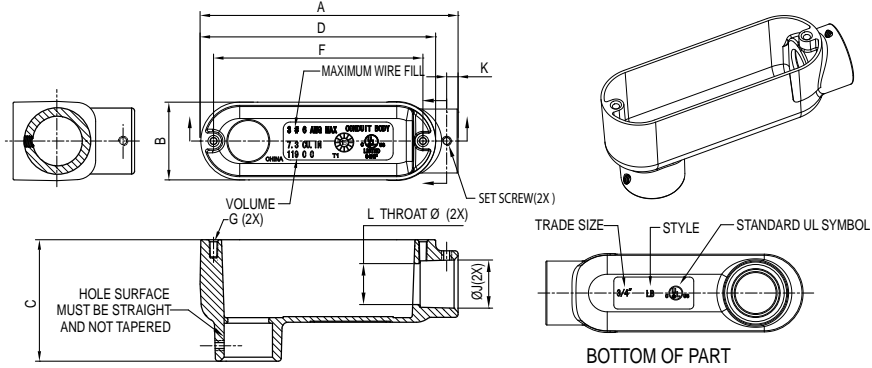
RSLB

CATALOG NUMBER	CONDUIT SIZE	A	B	C
RSLB050	1/2"	1.587	1.366	3.26
RSLB075	3/4"	1.878	1.693	3.663
RSLB100	1"	2.087	1.917	4.272
RSLB125	1-1/4"	2.579	2.39	5.506
RSLB150	1-1/2"	2.697	2.654	6.217
RSLB200	2"	3.075	3.122	6.715



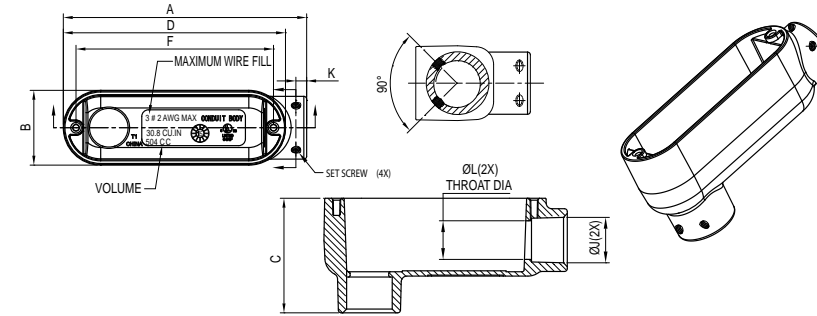
EALB/ELB

TRADE SIZE	CATALOG NUMBER	A	B	C	D	F ±0.010(25)	G TAPPED HOLES	ØJ	K	ØL	VOLUME	MAXIMUM WIRE FILL	SET SCREW (2X)
1/2"	ELB050	4.31	1.34	2.09	3.30	3.500	#8-32UNC-2B	0.721	0.225	0.812	4.3 CU.IN 70 CC		#12-24UNCX0.30(7.62) LONG
3/4"	ELB075	5.08	1.56	2.39	4.83	4.125	#8-32UNC-2B	0.925	0.225	0.814	7.3 CU.IN 119 CC	3 # 6 AWG MAX	#12-24UNCX0.30(7.62) LONG
1"	ELB100	5.92	1.82	2.78	5.35	4.830	#8-32UNC-2B	1.178	0.225	1.039	12.0 CU.IN 196 CC	3 # 4 AWG MAX	#12-24UNCX0.30(7.62) LONG



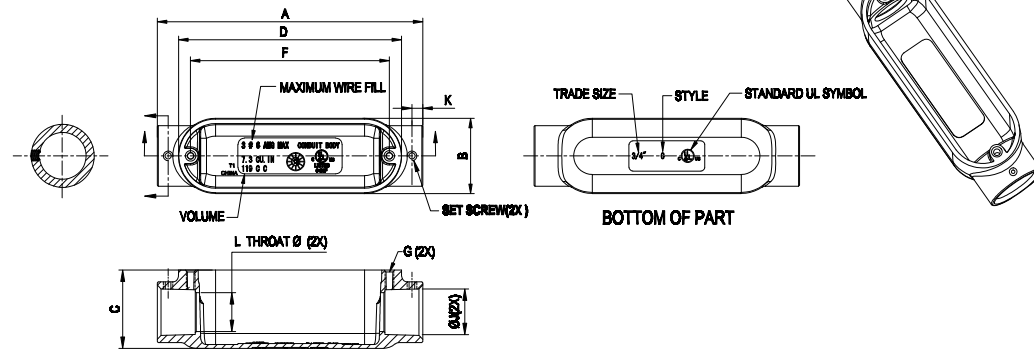
EALB/ELB (cont.)

TRADE SIZE	CATALOG NUMBER	A	B	C	D	F ±0.010(25)	G TAPPED HOLES	ØJ	K	ØL	VOLUME	MAXIMUM WIRE FILL	SET SCREW (4X)
1-1/4"	ELB125	7.82	2.51	3.52	7.24	6.500	#12-24UNC-2B	1.525	0.280	1.370	30.8 CU.IN 504 CC	3 # 2 AWG MAX	#12-24UNCX0.30(7.62) LONG
1-1/2"	ELB150	10.05	3.19	4.51	9.49	8.562	#12-24UNC-2B	2.212	0.350	2.025	87.0 CU.IN 1406 CC	3 # 2 AWG MAX	#12-24UNCX0.30(7.62) LONG
2"	ELB200	12.83	4.49	6.31	12.20	11.250	#16UNC-2B	2.895	0.375	2.660	157.3 CU.IN 2579 CC	3 # 2/0 MAX	#5/16-24UNFX055(14.0) LONG
2-1/2"	ELB250	15.65	5.55	7.09	15.0	13.687	#16UNC-2B	3.520	0.500	3.272	179.8 CU.IN 2946 CC	3 # 250 MAX	#5/16-24UNFX055(14.0) LONG
3"	ELB300	18.50	6.35	8.20	18.0	16.125	#16UNC-2B	4.145	0.500	3.795	201.3 CU.IN 3293 CC	3 # 250 MAX	#5/16-24UNFX055(14.0) LONG
3-1/2"	ELB350	21.35	7.15	9.35	21.0	18.562	#16UNC-2B	4.770	0.500	4.225	222.8 CU.IN 3610 CC	3 # 250 MAX	#5/16-24UNFX055(14.0) LONG
4"	ELB400	24.20	7.95	10.45	24.0	21.000	#16UNC-2B	5.395	0.500	4.850	244.3 CU.IN 3967 CC	3 # 250 MAX	#5/16-24UNFX055(14.0) LONG

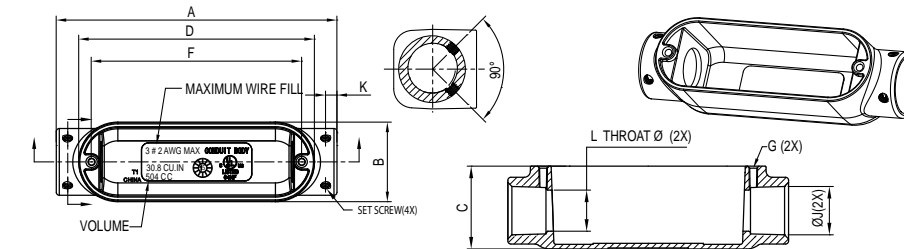


EAC/EC

TRADE SIZE	CATALOG NUMBER	A	B	C	D	F ±0.010(25)	G TAPPED HOLES	ØJ	K	ØL	VOLUME	MAXIMUM WIRE FILL	SET SCREW(2X)
1/2"	EC050	4.31	1.34	2.09	3.30	3.500	#8-32UNC-2B	0.721	0.225	0.812	4.3 CU.IN 70 CC		#12-24UNCX0.30(7.62) LONG
3/4"	EC075	5.08	1.56	2.39	4.83	4.125	#8-32UNC-2B	0.925	0.225	0.814	7.3 CU.IN 119 CC	3 # 6 AWG MAX	#12-24UNCX0.30(7.62) LONG
1"	EC100	5.92	1.82	2.78	5.35	4.830	#8-32UNC-2B	1.178	0.225	1.039	12.0 CU.IN 196 CC	3 # 4 AWG MAX	#12-24UNCX0.30(7.62) LONG

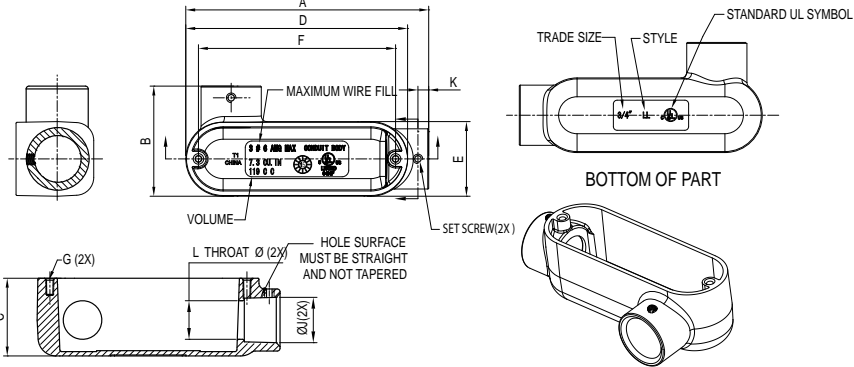


TRADE SIZE	CATALOG NUMBER	A	B	C	D	F ±0.010(25)	G TAPPED HOLES	ØJ	K	ØL	VOLUME	MAXIMUM WIRE FILL	SET SCREW (4X)
1-1/4"	EC125	7.82	2.51	3.52	7.24	6.500	#12-24UNC-2B	1.525	0.280	1.370	30.8 CU.IN 504 CC	3 # 2 AWG MAX	#12-24UNCX0.30(7.62) LONG
1-1/2"	EC150	10.05	3.19	4.51	9.49	8.562	#12-24UNC-2B	2.212	0.350	2.025	87.0 CU.IN 1406 CC	3 # 2 AWG MAX	#12-24UNCX0.30(7.62) LONG
2"	EC200	12.83	4.49	6.31	12.20	11.250	#16UNC-2B	2.895	0.375	2.660	157.3 CU.IN 2579 CC	3 # 2/0 MAX	#5/16-24UNFX055(14.0) LONG
2-1/2"	EC250	15.65	5.55	7.09	15.0	13.687	#16UNC-2B	3.520	0.500	3.272	179.8 CU.IN 2946 CC	3 # 250 MAX	#5/16-24UNFX055(14.0) LONG
3"	EC300	18.50	6.35	8.20	18.0	16.125	#16UNC-2B	4.145	0.500	3.795	201.3 CU.IN 3293 CC	3 # 250 MAX	#5/16-24UNFX055(14.0) LONG
3-1/2"	EC350	21.35	7.15	9.35	21.0	18.562	#16UNC-2B	4.770	0.500	4.225	222.8 CU.IN 3610 CC	3 # 250 MAX	#5/16-24UNFX055(14.0) LONG
4"	EC400	24.20	7.95	10.45	24.0	21.000	#16UNC-2B	5.395	0.500	4.850	244.3 CU.IN 3967 CC	3 # 250 MAX	#5/16-24UNFX055(14.0) LONG

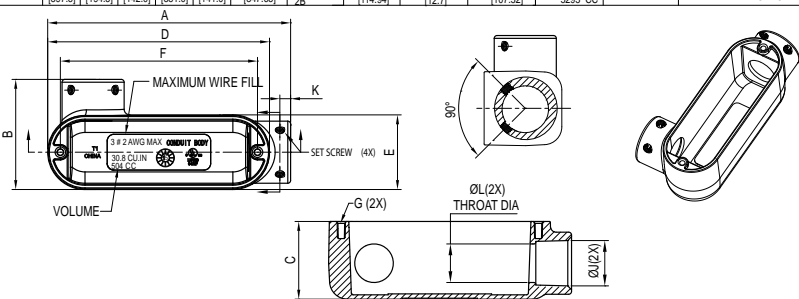


EALL/EL

TRADE SIZE	CATALOG NUMBER	A	B	C	D	E	F	G TAPPED HOLES	Ø	K	ØL	VOLUME	MAXIMUM WIRE FILL	SET SCREW (2X)
1/2"	ELL050	4.31	2.03	1.36	3.90	1.34	3.500	#8-32UNC-2B	0.721	0.225	0.612	4.3 CU IN 70 CC	#12-24UNCX0.30(7.62) LONG	
3/4"	ELL075	5.08	2.30	1.626	4.63	1.56	4.125	#8-32UNC-2B	0.955	0.225	0.814	7.3 CU IN 120.288 CC	#12-24UNCX0.30(7.62) LONG	
1"	ELL100	5.92	2.68	1.89	5.35	1.82	4.830	#8-32UNC-2B	1.176	0.225	1.039	12.0 CU IN 196 CC	#12-24UNCX0.30(7.62) LONG	

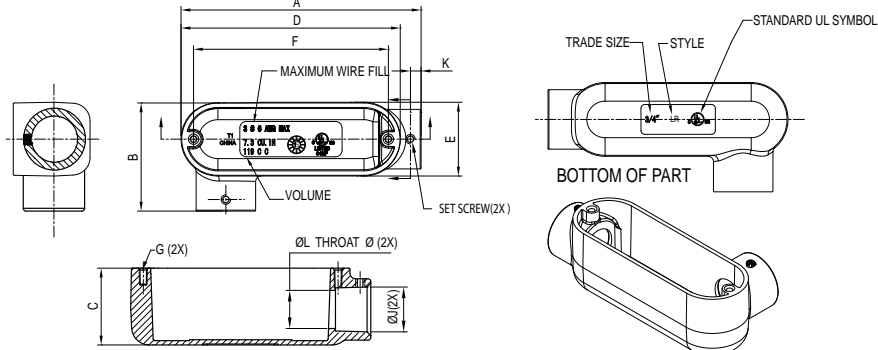


TRADE SIZE	CATALOG NUMBER	A	B	C	D	E	F	G TAPPED HOLES	Ø	K	ØL	VOLUME	MAXIMUM WIRE FILL	SET SCREW (4X)
1-1/4"	ELL125	7.82	3.52	2.50	7.24	2.51	6.500	#12-24UNC-2B	1.525	0.260	1.370	30.8 CU IN 504 CC	3 # 2 AWG MAX	#12-24UNCX0.30(7.62) LONG
1-1/2"	ELL150	8.85	3.82	2.80	7.24	2.51	6.500	#12-24UNC-2B	1.755	0.338	1.600	39.8 CU IN 654 CC	3 # 2 AWG MAX	#12-24UNCX0.30(7.62) LONG
2"	ELL200	10.05	4.27	3.41	9.49	3.19	8.562	#12-24UNC-2B	2.212	0.350	2.025	67.0 CU IN 1119 CC	3 # 2/0 MAX	#5/16-24UNFX055(14.0) LONG
2-1/2"	ELL250	12.83	5.89	3.98	12.20	4.49	11.250	#5/16UNC-2B	2.895	0.375	2.660	157.3 CU IN 2578 CC	3 # 250 MAX	#5/16-24UNFX055(14.0) LONG
3"	ELL300	15.65	7.86	5.59	15.0	5.55	13.887	#5/16UNC-2B	3.530	0.375	3.277	179.8 CU IN 2948 CC	3 # 250 MAX	#5/16-24UNFX055(14.0) LONG
3-1/2"	ELL350	18.87	9.51	6.63	18.0	6.63	16.515	#5/16UNC-2B	4.265	0.500	3.755	323.0 CU IN 5293 CC	3 # 250 MAX	#5/16-24UNFX055(14.0) LONG
4"	ELL400	21.65	11.16	7.86	21.0	7.86	19.143	#5/16UNC-2B	5.000	0.500	4.225	323.0 CU IN 5293 CC	3 # 250 MAX	#5/16-24UNFX055(14.0) LONG



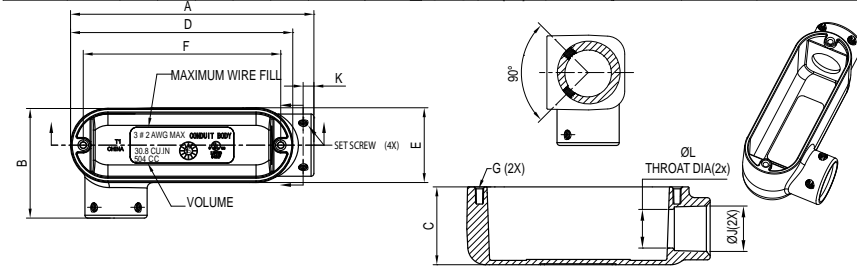
EALR/ELR

TRADE SIZE	CATALOG NUMBER	A	B	C	D	E	F	G TAPPED HOLES	Ø	K	ØL	VOLUME	MAXIMUM WIRE FILL	SET SCREW (2X)
1/2"	ELR050	4.31	2.03	1.36	3.90	1.34	3.500	#8-32UNC-2B	0.721	0.225	0.612	4.3 CU IN 70 CC	#12-24UNCX0.30(7.62) LONG	
3/4"	ELR075	5.08	2.30	1.626	4.63	1.56	4.125	#8-32UNC-2B	0.955	0.225	0.814	7.3 CU IN 120.288 CC	#12-24UNCX0.30(7.62) LONG	
1"	ELR100	5.92	2.68	1.89	5.35	1.82	4.830	#8-32UNC-2B	1.176	0.225	1.039	12.0 CU IN 196 CC	#12-24UNCX0.30(7.62) LONG	



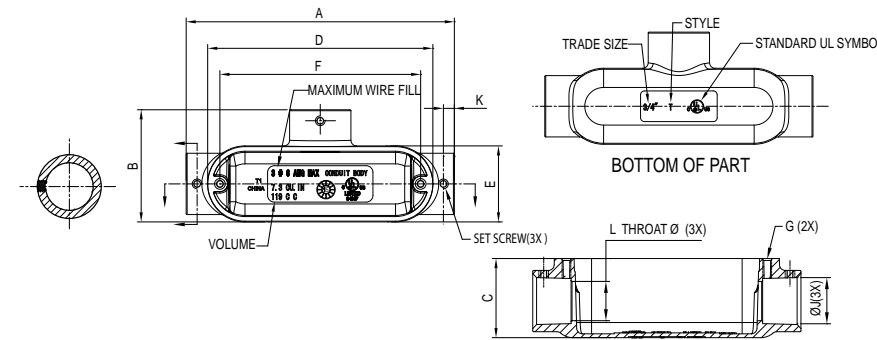
EALR/ELR (cont.)

TRADE SIZE	CATALOG NUMBER	A	B	C	D	E	F	G TAPPED HOLES	Ø	K	ØL	VOLUME	MAXIMUM WIRE FILL	SET SCREW (4X)
1-1/4"	ELR125	7.82	3.52	2.50	7.24	2.51	6.500	#12-24UNC-2B	1.525	0.260	1.370	30.8 CU IN 504 CC	3 # 2 AWG MAX	#12-24UNCX0.30(7.62) LONG
1-1/2"	ELR150	8.85	3.82	2.80	7.24	2.51	6.500	#12-24UNC-2B	1.755	0.338	1.600	39.8 CU IN 654 CC	3 # 2 AWG MAX	#12-24UNCX0.30(7.62) LONG
2"	ELR200	10.05	4.27	3.41	9.49	3.19	8.562	#12-24UNC-2B	2.212	0.350	2.025	67.0 CU IN 1119 CC	3 # 2/0 MAX	#5/16-24UNFX055(14.0) LONG
2-1/2"	ELR250	12.83	5.89	3.98	12.20	4.49	11.250	#5/16UNC-2B	2.895	0.375	2.660	157.3 CU IN 2578 CC	3 # 250 MAX	#5/16-24UNFX055(14.0) LONG
3"	ELR300	15.65	7.86	5.59	15.0	5.55	13.887	#5/16UNC-2B	3.530	0.375	3.277	179.8 CU IN 2948 CC	3 # 250 MAX	#5/16-24UNFX055(14.0) LONG
3-1/2"	ELR350	18.87	9.51	6.63	18.0	6.63	16.515	#5/16UNC-2B	4.265	0.500	3.755	323.0 CU IN 5293 CC	3 # 250 MAX	#5/16-24UNFX055(14.0) LONG
4"	ELR400	21.65	11.16	7.86	21.0	7.86	19.143	#5/16UNC-2B	5.000	0.500	4.225	323.0 CU IN 5293 CC	3 # 250 MAX	#5/16-24UNFX055(14.0) LONG

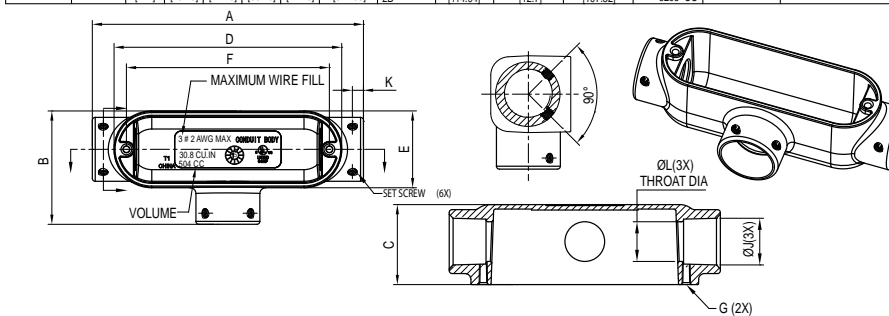


EAT/ET

TRADE SIZE	CATALOG NUMBER	A	B	C	D	E	F	G TAPPED HOLES	Ø	K	ØL	VOLUME	MAXIMUM WIRE FILL	SET SCREW(3X)
1/2"	ET050	4.72	2.03	1.36	3.90	1.34	3.500	#8-32UNC-2B	0.721	0.225	0.612	4.3 CU IN 70 CC	#12-24UNCX0.30(7.62) LONG	
3/4"	ET075	5.51	2.30	1.626	4.63	1.56	4.125	#8-32UNC-2B	0.955	0.225	0.814	7.3 CU IN 120.288 CC	3 # 6 AWG MAX	#12-24UNCX0.30(7.62) LONG
1"	ET100	6.46	2.68	1.89	5.35	1.82	4.830	#8-32UNC-2B	1.176	0.225	1.039	12.0 CU IN 196 CC	3 # 4 AWG MAX	#12-24UNCX0.30(7.62) LONG

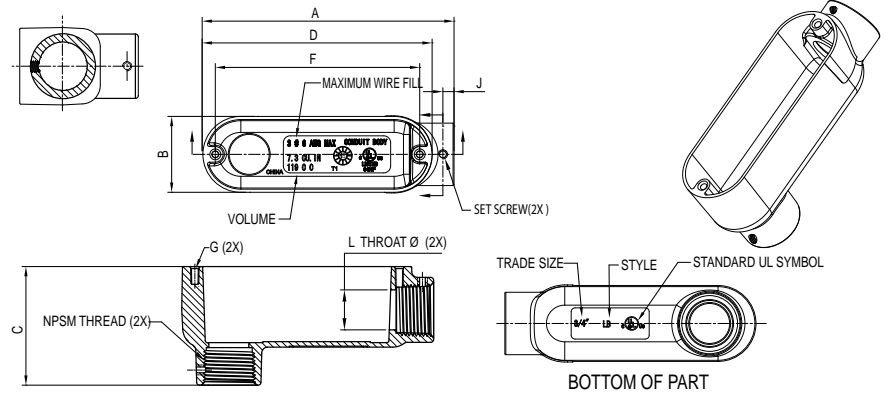


TRADE SIZE	CATALOG NUMBER	A	B	C	D	E	F	G TAPPED HOLES	Ø	K	ØL	VOLUME	MAXIMUM WIRE FILL	SET SCREW(6X)
1-1/4"	ET125	8.35	3.52	2.50	7.24	2.51	6.500	#12-24UNC-2B	1.525	0.260	1.370	30.8 CU IN 504 CC	3 # 2 AWG MAX	#12-24UNCX0.30(7.62) LONG
1-1/2"	ET150	9.38	3.82	2.80	7.24	2.51	6.500	#12-24UNC-2B	1.755	0.338	1.600	39.8 CU IN 654 CC	3 # 2 AWG MAX	#12-24UNCX0.30(7.62) LONG
2"	ET200	10.55	4.27	3.41	9.49	3.19	8.562	#12-24UNC-2B	2.212	0.350	2.025	67.0 CU IN 1119 CC	3 # 2/0 MAX	#5/16-24UNFX055(14.0) LONG
2-1/2"	ET250	13.46	5.89	3.98	12.20	4.49	11.250	#5/16UNC-2B	2.895	0.375	2.660	157.3 CU IN 2578 CC	3 # 250 MAX	#5/16-24UNFX055(14.0) LONG
3"	ET300	16.30	7.86	5.59	15.0	5.55	13.887	#5/16UNC-2B	3.530	0.375	3.277	179.8 CU IN 2948 CC	3 # 250 MAX	#5/16-24UNFX055(14.0) LONG
3-1/2"	ET350	19.14	9.51	6.63	18.0	6.63	16.515	#5/16UNC-2B	4.265	0.500	3.755	323.0 CU IN 5293 CC	3 # 250 MAX	#5/16-24UNFX055(14.0) LONG
4"	ET400	21.98	11.16	7.86	21.0	7.86	19.143	#5/16UNC-2B	5.000	0.500	4.225	323.0 CU IN 5293 CC	3 # 250 MAX	#5/16-24UNFX055(14.0) LONG

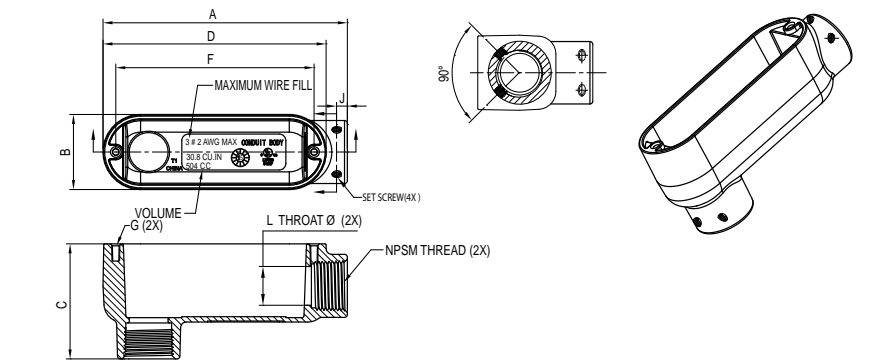


COLB/CLB

TRADE SIZE	CATALOG NUMBER	A	B	C	D	F ±0.010(.25)	G TAPPED HOLES	NPSM THREAD	J	L ±0.008(.31)	VOLUME	MAXIMUM WIRE FILL	SET SCREW (2X)
1/2"	CLB050	4.31 (109.5)	1.34 (34.0)	2.09 (53.0)	3.90 (99.0)	3.500 (88.9)	#8-32UNC-2B	1/2-14NPSM	0.225 (5.72)	0.612 (15.54)	4.3 CU IN 70 CC		#12-24UNCX0.30(7.62) LONG
3/4"	CLB075	5.08 (129.1)	1.56 (39.7)	2.39 (60.8)	4.63 (117.5)	4.125 (104.7)	#8-32UNC-2B	3/4-14NPSM	0.225 (5.72)	0.814 (20.68)	7.3 CU IN 119 CC	3 # 6 AWG MAX	#12-24UNCX0.30(7.62) LONG
1"	CLB100	5.92 (150.3)	1.82 (46.2)	2.78 (70.5)	5.35 (135.5)	4.830 (122.8)	#8-32UNC-2B	1-11 1/2NPSM	0.225 (5.72)	1.039 (26.39)	12.0 CU IN 196 CC	3 # 4 AWG MAX	#12-24UNCX0.30(7.62) LONG

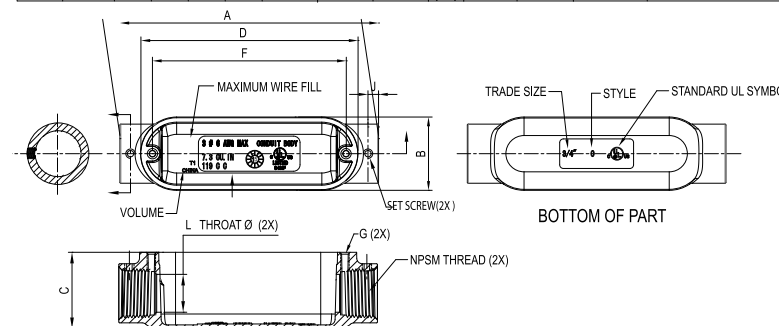


TRADE SIZE	CATALOG NUMBER	A	B	C	D	F ±0.010(.25)	G TAPPED HOLES	NPSM THREAD	J	L ±0.008(.31)	VOLUME	MAXIMUM WIRE FILL	SET SCREW (2X)
1-1/4"	CLB125	7.82 (198.6)	2.51 (63.7)	3.52 (89.5)	7.24 (184.0)	6.500 (165.1)	#12-24UNC-2B	1-1/2NPSM	0.260 (6.60)	1.370 (34.80)	30.8 CU IN 504 CC	3 # 2 AWG MAX	#12-24UNCX0.30(7.62) LONG
1-1/2"	CLB150	7.82 (198.6)	2.51 (63.7)	3.52 (89.5)	7.24 (184.0)	6.500 (165.1)	#12-24UNC-2B	1-1/2NPSM	0.260 (6.60)	1.370 (34.80)	30.8 CU IN 504 CC	3 # 2 AWG MAX	#12-24UNCX0.30(7.62) LONG
2"	CLB200	10.05 (255.3)	3.19 (81.0)	4.51 (114.2)	9.49 (241.0)	8.562 (217.48)	#12-24UNC-2B	2-11 1/2NPSM	0.350 (8.89)	2.057 (52.25)	67.0 CU IN 1096 CC	3 # 2/0 MAX	#5/16-24UNFX055(14.0) LONG



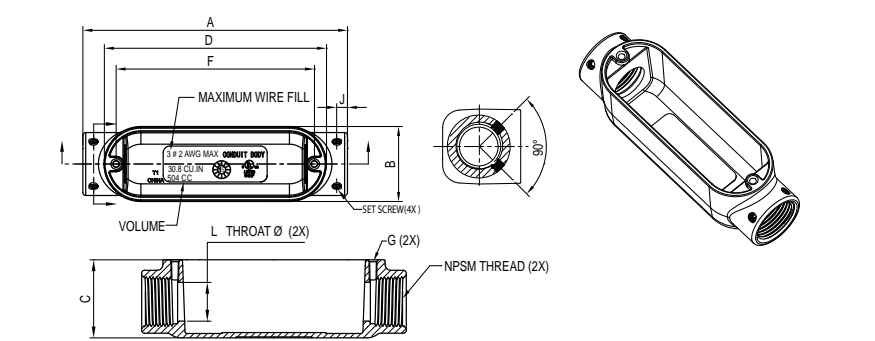
COC/CC

TRADE SIZE	CATALOG NUMBER	A	B	C	D	F ±0.010(.25)	G TAPPED HOLES	NPSM THREAD	J	L ±0.008(.31)	VOLUME	MAXIMUM WIRE FILL	SET SCREW (2X)
1/2"	CC050	4.31 (109.5)	1.34 (34.0)	1.36 (34.5)	3.90 (99.0)	3.500 (88.9)	#8-32UNC-2B	1/2-14NPSM	0.225 (5.72)	0.612 (15.54)	4.3 CU IN 70 CC		#12-24UNCX0.30(7.62) LONG
3/4"	CC075	5.08 (129.1)	1.56 (39.7)	1.626 (41.3)	4.63 (117.5)	4.125 (104.7)	#8-32UNC-2B	3/4-14NPSM	0.225 (5.72)	0.814 (20.68)	7.3 CU IN 119 CC	3 # 6 AWG MAX	#12-24UNCX0.30(7.62) LONG
1"	CC100	5.92 (150.3)	1.82 (46.2)	1.88 (47.5)	5.35 (135.5)	4.830 (122.8)	#8-32UNC-2B	1-11 1/2NPSM	0.225 (5.72)	1.039 (26.39)	12.0 CU IN 196 CC	3 # 4 AWG MAX	#12-24UNCX0.30(7.62) LONG



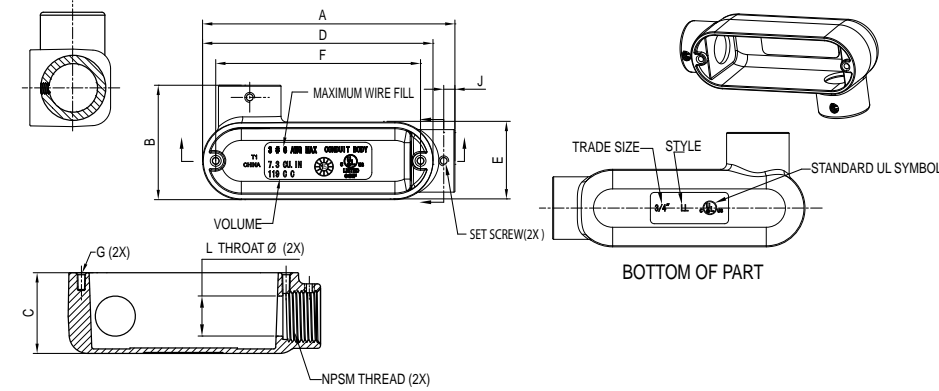
COC/CC (cont.)

TRADE SIZE	CATALOG NUMBER	A	B	C	D	F ±0.010(.25)	G TAPPED HOLES	NPSM THREAD	J	L ±0.008(.31)	VOLUME	MAXIMUM WIRE FILL	SET SCREW (4X)
1-1/4"	CC125	8.35 (212)	2.51 (63.7)	2.50 (63.5)	7.24 (184.0)	6.500 (165.1)	#12-24UNC-2B	1-1/4-11 1/2NPSM	0.260 (6.60)	1.370 (34.80)	30.8 CU IN 504 CC	3 # 2 AWG MAX	#12-24UNCX0.30(7.62) LONG
1-1/2"	CC150	8.35 (212)	2.51 (63.7)	2.50 (63.5)	7.24 (184.0)	6.500 (165.1)	#12-24UNC-2B	1-1/2-11 1/2NPSM	0.260 (6.60)	1.370 (34.80)	30.8 CU IN 504 CC	3 # 2 AWG MAX	#12-24UNCX0.30(7.62) LONG
2"	CC200	10.05 (255.3)	3.19 (81.0)	3.41 (86.5)	9.49 (241.0)	8.562 (217.48)	#12-24UNC-2B	2-11 1/2NPSM	0.350 (8.89)	2.057 (52.25)	67.0 CU IN 1096 CC	3 # 2/0 MAX	#5/16-24UNFX055(14.0) LONG

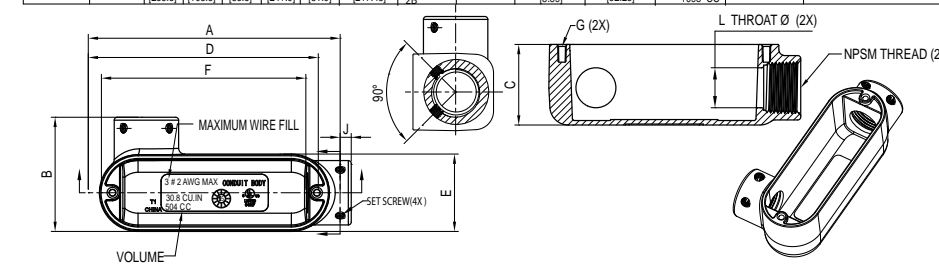


COLL/CLL

TRADE SIZE	CATALOG NUMBER	A	B	C	D	E	F ±0.010(.25)	G TAPPED HOLES	NPSM THREAD	J	L ±0.008(.31)	VOLUME	MAXIMUM WIRE FILL	SET SCREW (2X)
1/2"	CLL050	4.31 (109.5)	2.03 (51.5)	1.36 (34.5)	3.90 (99.0)	1.34 (34.0)	3.500 (88.9)	#8-32UNC-2B	1/2-14NPSM	0.225 (5.72)	0.612 (15.54)	4.3 CU IN 70 CC		#12-24UNCX0.30(7.62) LONG
3/4"	CLL075	5.08 (129.1)	2.30 (58.5)	1.626 (41.3)	4.63 (117.5)	1.36 (34.5)	4.125 (104.7)	#8-32UNC-2B	3/4-14NPSM	0.225 (5.72)	0.814 (20.68)	7.3 CU IN 119 CC	3 # 2 AWG MAX	#12-24UNCX0.30(7.62) LONG
1"	CLL100	5.92 (150.3)	2.68 (68.0)	1.88 (47.5)	5.35 (135.5)	1.82 (46.2)	4.830 (122.8)	#8-32UNC-2B	1-11 1/2NPSM	0.225 (5.72)	1.039 (26.39)	12.0 CU IN 196 CC	3 # 2/0 MAX	#5/16-24UNFX055(14.0) LONG

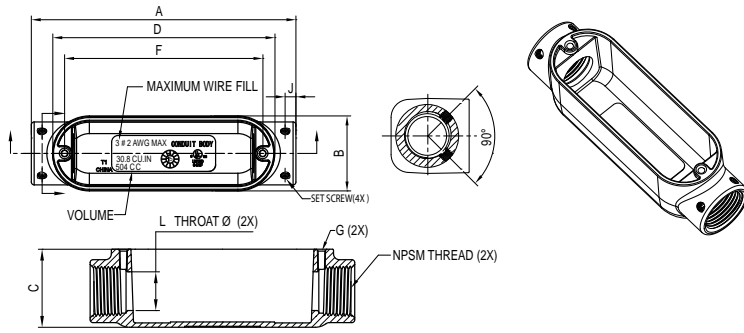


TRADE SIZE	CATALOG NUMBER	A	B	C	D	E	F ±0.010(.25)	G TAPPED HOLES	NPSM THREAD	J	L ±0.008(.31)	VOLUME	MAXIMUM WIRE FILL	SET SCREW (4X)
1-1/4"	CLL125	7.82 (198.6)	3.52 (89.4)	2.50 (63.5)	7.24 (184.0)	2.51 (63.7)	6.500 (165.1)	#12-24UNC-2B	1-1/4-11 1/2NPSM	0.260 (6.60)	1.370 (34.80)	30.8 CU IN 504 CC	3 # 2 AWG MAX	#12-24UNCX0.30(7.62) LONG
1-1/2"	CLL150	7.82 (198.6)	3.52 (89.4)	2.50 (63.5)	7.24 (184.0)	2.51 (63.7)	6.500 (165.1)	#12-24UNC-2B	1-1/2-11 1/2NPSM	0.260 (6.60)	1.370 (34.80)	30.8 CU IN 504 CC	3 # 2 AWG MAX	#12-24UNCX0.30(7.62) LONG
2"	CLL200	10.05 (255.3)	4.27 (108.5)	3.41 (86.5)	9.49 (241.0)	3.19 (81.0)	8.562 (217.48)	#12-24UNC-2B	2-11 1/2NPSM	0.350 (8.89)	2.057 (52.25)	67.0 CU IN 1096 CC	3 # 2/0 MAX	#5/16-24UNFX055(14.0) LONG

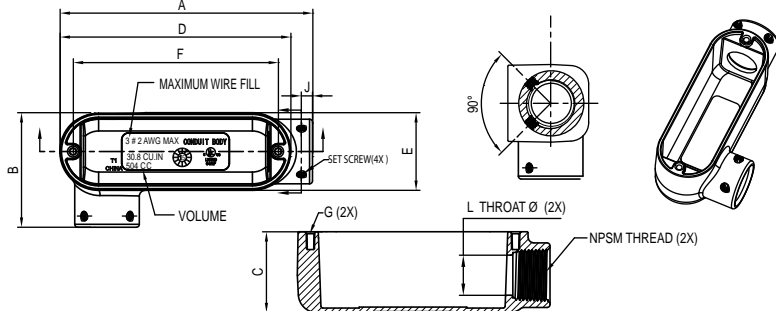


COLR/CLR

TRADE SIZE	CATALOG NUMBER	A	B	C	D	F	G TAPPED HOLES	NPSM THREAD	J	L	VOLUME	MAXIMUM WIRE FILL	SET SCREW (4X)
1-1/4"	CC125	8.35	2.51	2.50	7.24	6.500	#12-24UNC-2B	1-1/4"	0.260	1.370	30.8 CU.IN	3 # 2 AWG MAX	#12-24UNCX0.30(7.62) LONG
1-1/2"	CC150	8.35	2.51	2.50	7.24	6.500	#12-24UNC-2B	1-1/2"	0.338	1.600	30.8 CU.IN	3 # 2 AWG MAX	#12-24UNCX0.30(7.62) LONG
2"	CC200	10.55	3.19	3.41	9.48	8.592	#12-24UNC-2B	2-11/2"NPSM	0.350	2.057	67.0 CU.IN	3 # 2/0 MAX	#5/16-24UNFX055(14.0) LONG

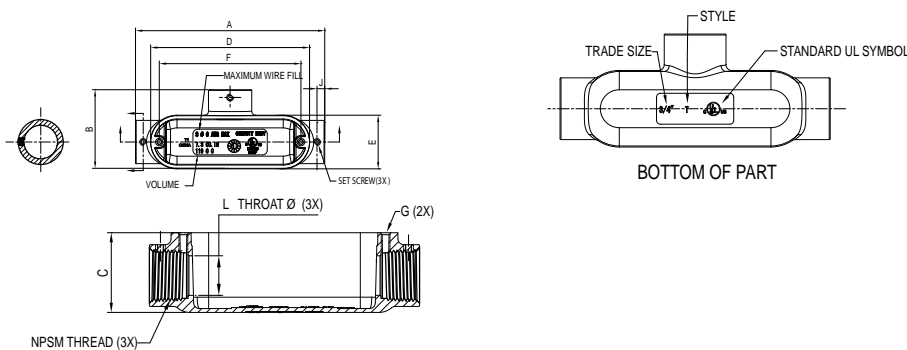


TRADE SIZE	CATALOG NUMBER	A	B	C	D	E	F	G TAPPED HOLES	NPSM THREAD	J	L	VOLUME	MAXIMUM WIRE FILL	SET SCREW (4X)
1-1/4"	CLR125	7.82	3.52	2.50	7.24	2.51	6.500	#12-24UNC-2B	1-1/4"NPSM	0.260	1.370	30.8 CU.IN	3 # 2 AWG MAX	#12-24UNCX0.30(7.62) LONG
1-1/2"	CLR150	7.82	3.52	2.50	7.24	2.51	6.500	#12-24UNC-2B	1-1/2"NPSM	0.338	1.600	30.8 CU.IN	3 # 2 AWG MAX	#12-24UNCX0.30(7.62) LONG
2"	CLR200	10.05	4.27	3.41	9.48	3.19	8.592	#12-24UNC-2B	2-11/2"NPSM	0.350	2.057	67.0 CU.IN	3 # 2/0 MAX	#5/16-24UNFX055(14.0) LONG



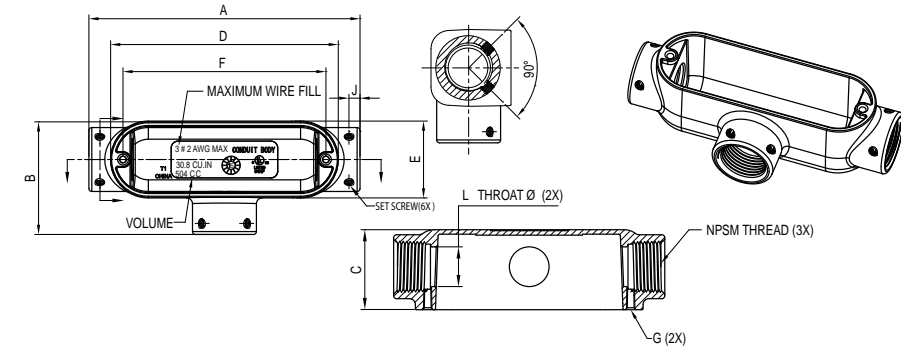
COT/CT

TRADE SIZE	CATALOG NUMBER	A	B	C	D	E	F	G TAPPED HOLES	NPSM THREAD	J	L	VOLUME	MAXIMUM WIRE FILL	SET SCREW (3X)
1/2"	CT050	4.72	2.03	1.36	3.90	1.34	3.500	#8-32UNC-2B	1/2-14NPSM	0.225	0.612	4.3 CU.IN	3 # 6 AWG MAX	#12-24UNCX0.30(7.62) LONG
3/4"	CT075	5.51	2.30	1.626	4.63	1.56	4.125	#8-32UNC-2B	3/4-14NPSM	0.225	0.814	7.3 CU.IN	3 # 6 AWG MAX	#12-24UNCX0.30(7.62) LONG
1"	CT100	6.46	2.68	1.89	5.35	1.82	4.830	#8-32UNC-2B	1-11/2"NPSM	0.225	1.039	12.0 CU.IN	3 # 4 AWG MAX	#12-24UNCX0.30(7.62) LONG



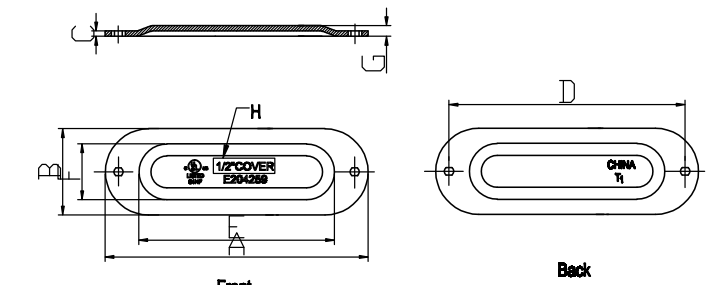
COT/CT (cont.)

TRADE SIZE	CATALOG NUMBER	A	B	C	D	E	F	G TAPPED HOLES	NPSM THREAD	J	L	VOLUME	MAXIMUM WIRE FILL	SET SCREW (6X)
1-1/4"	CT125	8.35	3.52	2.50	7.24	2.51	6.500	#12-24UNC-2B	1-1/4"	0.260	1.370	30.8 CU.IN	3 # 2 AWG MAX	#12-24UNCX0.30(7.62) LONG
1-1/2"	CT150	8.35	3.52	2.50	7.24	2.51	6.500	#12-24UNC-2B	1-1/2"	0.338	1.600	30.8 CU.IN	3 # 2 AWG MAX	#12-24UNCX0.30(7.62) LONG
2"	CT200	10.55	4.27	3.41	9.48	3.19	8.592	#12-24UNC-2B	2-11/2"NPSM	0.350	2.057	67.0 CU.IN	3 # 2/0 MAX	#5/16-24UNFX055(14.0) LONG



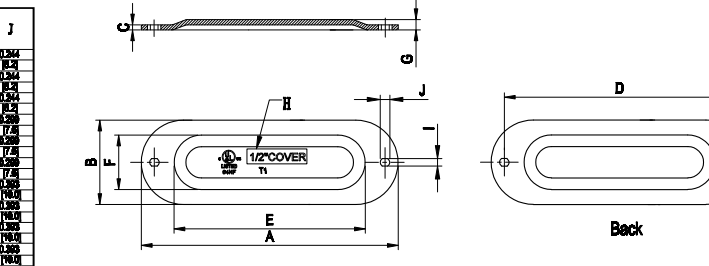
SSC STAMPED STEEL COVER

TRADE SIZE	CATALOG NUMBER	A	B	C	D	E	F	G	CAPTIVE SCREW	F
1/2"	SSC050	3.000	1.340	0.86	3.000	2.800	0.827	0.181	#8-32UNCX0.10(2.5)	1/2" COVER
3/4"	SSC075	4.000	1.626	0.86	4.000	3.400	0.827	0.181	#8-32UNCX0.10(2.5)	3/4" COVER
1"	SSC100	5.000	1.912	0.86	5.000	4.200	0.827	0.181	#8-32UNCX0.10(2.5)	1" COVER
1-1/4"	SSC125	7.280	2.500	0.86	7.280	6.000	0.827	0.181	#12-24UNCX0.10(2.5)	1 1/4" COVER
1-1/2"	SSC150	7.280	2.500	0.86	7.280	6.000	0.827	0.181	#12-24UNCX0.10(2.5)	1 1/2" COVER
2"	SSC200	10.050	3.410	0.86	10.050	8.400	0.827	0.181	#12-24UNCX0.10(2.5)	2" COVER
2-1/2"	SSC250	12.200	4.270	0.86	12.200	10.200	0.827	0.181	#16-24UNCX0.14(3.5)	2 1/2" COVER
3"	SSC300	14.960	5.350	0.86	14.960	12.200	0.827	0.181	#16-24UNCX0.14(3.5)	3" COVER
3-1/2"	SSC350	17.810	6.460	0.86	17.810	14.200	0.827	0.181	#16-24UNCX0.14(3.5)	3 1/2" COVER
4"	SSC400	20.810	7.680	0.86	20.810	16.200	0.827	0.181	#16-24UNCX0.14(3.5)	4" COVER



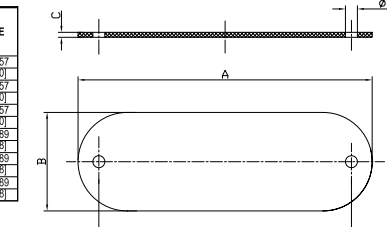
CSC STAMPED ALUM. COVER (included w/assemblies)

TRADE SIZE	CATALOG NUMBER	A	B	C	D	E	F	G	CAPTIVE SCREW	H	I	J
1/2"	CSC050	3.000	1.340	0.86	3.000	2.800	0.827	0.181	#8-32UNCX0.10(2.5)	1/2" COVER	0.140	0.364
3/4"	CSC075	4.000	1.626	0.86	4.000	3.400	0.827	0.181	#8-32UNCX0.10(2.5)	3/4" COVER	0.140	0.364
1"	CSC100	5.000	1.912	0.86	5.000	4.200	0.827	0.181	#8-32UNCX0.10(2.5)	1" COVER	0.140	0.364
1-1/4"	CSC125-148	7.280	2.500	0.86	7.280	6.000	0.827	0.181	#12-24UNCX0.10(2.5)	1 1/4" COVER	0.190	0.500
1-1/2"	CSC150	7.280	2.500	0.86	7.280	6.000	0.827	0.181	#12-24UNCX0.10(2.5)	1 1/2" COVER	0.190	0.500
2"	CSC200	10.050	3.410	0.86	10.050	8.400	0.827	0.181	#12-24UNCX0.10(2.5)	2" COVER	0.240	0.600
2-1/2"	CSC250-260	12.200	4.270	0.86	12.200	10.200	0.827	0.181	#16-24UNCX0.14(3.5)	2 1/2" COVER	0.290	0.700
3"	CSC300	14.960	5.350	0.86	14.960	12.200	0.827	0.181	#16-24UNCX0.14(3.5)	3" COVER	0.290	0.700
3-1/2"	CSC350-400	17.810	6.460	0.86	17.810	14.200	0.827	0.181	#16-24UNCX0.14(3.5)	3 1/2" COVER	0.290	0.700
4"	CSC400	20.810	7.680	0.86	20.810	16.200	0.827	0.181	#16-24UNCX0.14(3.5)	4" COVER	0.290	0.700

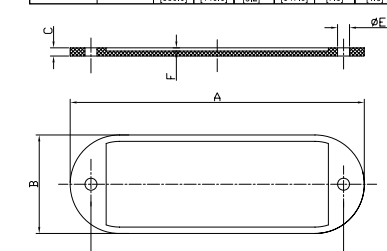


CRG RUBBER GASKET

TRADE SIZE	CATALOG NUMBER	A	B	C	D	ØE
1/2"	CRG050	3.900	1.340	0.067	3.900	0.157
3/4"	CRG075	4.865	1.530	0.067	4.128	0.157
1"	CRG100	5.874	1.732	0.067	4.831	0.157
1-1/4"	CRG125	7.283	2.500	0.067	6.500	0.189
1-1/2"	CRG150	7.283	2.500	0.067	6.500	0.189
2"	CRG-200	9.488	3.150	0.067	8.563	0.189



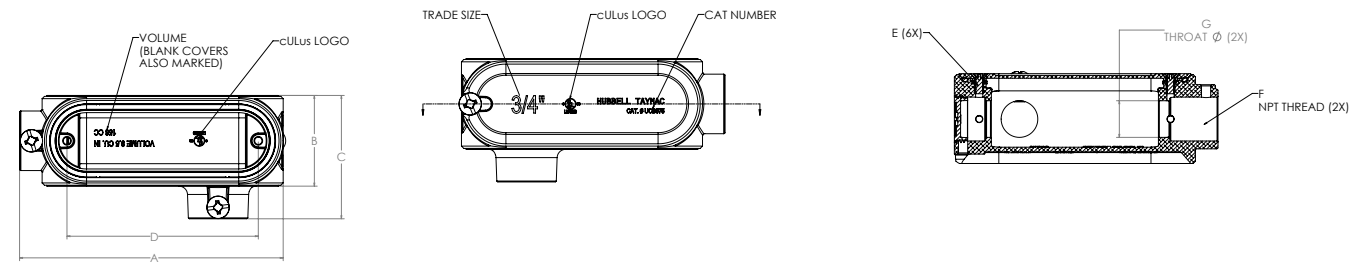
TRADE SIZE	CATALOG NUMBER	A	B	C	D	ØE	F
2-1/2"	CRG250	12.205	4.428	0.125	11.252	0.307	0.0384
3"	CRG300	14.961	5.352	0.125	13.885	0.307	0.0384
3-1/2"	CRG350	17.811	6.461	0.125	16.661	0.307	0.0384
4"	CRG400	20.811	7.681	0.125	19.661	0.307	0.0384



U • CONDUIT BODIES

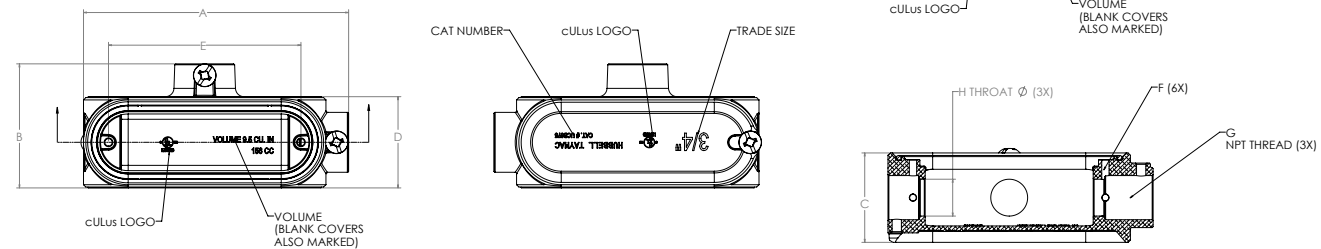
LL/LR/LB

TRADE SIZE	CATALOG NUMBER	A	B	C	D	E TAPPED HOLES	F NPT THREAD	G THROAT DIA.	SET SCREW	VOLUME
1/2"	UCB050	5.10	1.73	2.29	3.55	#10-32 UNF	1/2-14 NPT	0.60	#10-24 UNC	5.8 CU. IN 95 CC
3/4"	UCB075	5.75	1.96	2.69	4.18	#10-32 UNF	3/4-14 NPT	0.80	1/4-20 UNC	9.5 CU. IN 156 CC
1"	UCB0100	6.41	2.23	2.99	4.68	#10-32 UNF	1-11.5 NPT	0.98	1/4-20 UNC	14.3 CU. IN 234 CC



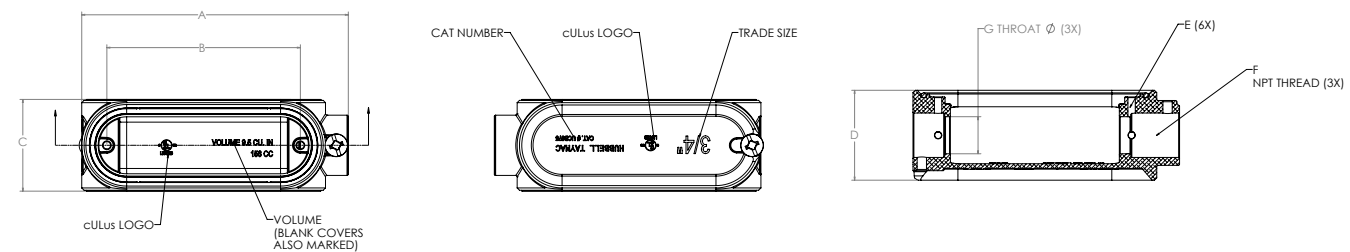
T

TRADE SIZE	CATALOG NUMBER	A	B	C	D	E	F TAPPED HOLES	G NPT THREAD	H THROAT DIA.	SET SCREW	VOLUME
1/2"	UCB050	5.10	2.29	1.71	1.73	3.55	#10-32 UNF	1/2-14 NPT	0.60	#10-24 UNC	5.8 CU. IN 95 CC
3/4"	UCB075	5.75	2.69	1.98	1.96	4.18	#10-32 UNF	3/4-14 NPT	0.80	1/4-20 UNC	9.5 CU. IN 156 CC
1"	UCB0100	6.41	2.99	2.21	2.23	4.68	#10-32 UNF	1-11.5 NPT	0.98	1/4-20 UNC	14.3 CU. IN 234 CC



C

TRADE SIZE	CATALOG NUMBER	A	B	C	D	E TAPPED HOLES	F NPT THREAD	G THROAT DIA.	SET SCREW	VOLUME
1/2"	UCB050	5.10	3.55	1.73	1.71	#10-32 UNF	1/2-14 NPT	0.60	#10-24 UNC	5.8 CU. IN 95 CC
3/4"	UCB075	5.75	4.18	1.96	1.98	#10-32 UNF	3/4-14 NPT	0.80	1/4-20 UNC	9.5 CU. IN 156 CC
1"	UCB0100	6.41	4.68	2.23	2.21	#10-32 UNF	1-11.5 NPT	0.98	1/4-20 UNC	14.3 CU. IN 234 CC



NOTES